

## Monteringsvejledning til 74200 Hydropneumatisk gevindindsætnings værktøj

### V I G T I G T

Luftforsyningen bør kobles fra under montering eller under fjernelse af næseudstyr, medmindre der gives instrukser omdanet.

### MONTERINGS

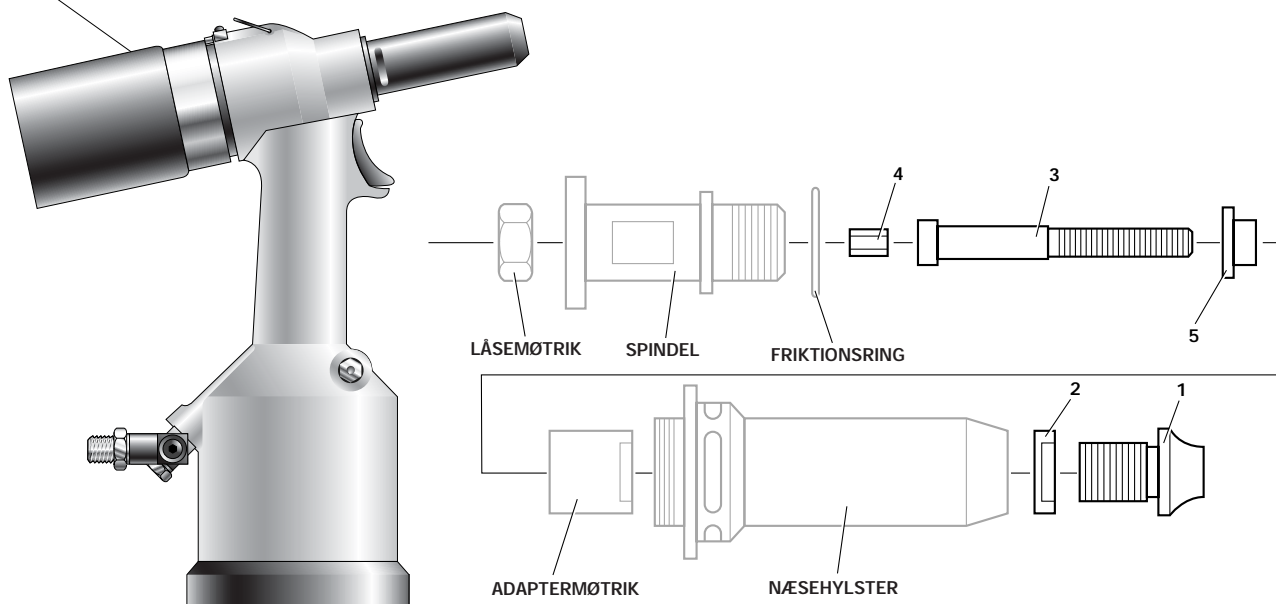
**Bemærk:** Genstande med gråt er indbefattet i grundværktøjet, og delnumrene findes i 74200 instruktionsvejledningen under afsnittet sektionen *Generel konstruktion af grundværktøjet – Reservedelsliste genstande med fed skrift* udgør næseudstyret, og disse dele vil variere afhængigt af indsatsypen og størrelsen. Referer til næseudstyrsektionen i 74200 instruktionsvejledningen.

**Før montering** skal man sørge for, at værktøjet er indstillet på nul ved at dreje det bagerste hylster med uret indtil standsning.

Genstandsnumrene med **fed skrift** refererer til illustrationen nedenfor:

- Fjern næsehylstret og adaptermøtrikken fra grundværktøjet.
- Indsæt drivakslen **4** ind i spindlen.
- Monter drivskruen **3** ind i drivakslen **4**.
- Indsæt reduceringsbøsningen **5** (hvor leveret) i adaptermøtrikken, skru adaptermøtrikken ind i spindlen. Hold spindlen med en passende skruenøgle, og fastgør låsemøtrikken med uret.
- Skru næsehylstret på værktøjet, skru næsetippen **1** med en næsetiplåsemøtrik **2** til næsehylstret.
- Skru **1** indsats på drivskruen, indtil den forreste flade af indsatsen flugter med enden af drivskruen.
- Justér næsetippen, indtil den forreste flade af næsetippen berører det bagerste af indsatsen. I det man holder næsetippen i position, skrues næsetiplåsemøtrikken på den forreste flade af næsehylstret, og fastgøres med en passende skruenøgle.
- Juster værktøjsslaglængden som vist i 74200 instruktionsvejlednings, afsnittet Justering af slaglængde.

Bagerste hylster



### SERVICE

Næseudstyr bør efterses med ugentlige mellemrum.

- Fjern hele næseudstyret i modsat rækkefølge til montering.
- Udskift alle slidte eller beskadigede dele.
- Undersøg især for slid af drivskruen.
- Samles ifølge monteringsvejledningen.

#### AUSTRALIEN

##### Infastech (Australia) Pty Ltd.

891 Wellington Road  
 Rowville  
 Victoria 3178  
 Tel: +61 3 9765 6400  
 Fax: +61 3 9765 6445  
 info@infastech.com.au

#### CANADA

##### Avdel Canada Limited

1030 Lorimar Drive  
 Mississauga  
 Ontario L5S 1R8  
 Tel: +1 905 364 0664  
 Fax: +1 905 364 0678  
 infoAvdel-Canada@infastech.com

#### KINA

##### Infastech (China) Ltd.

RM 1708, 17/F., Nanyang Plaza,  
 57 Hung To Rd., Kwun Tong  
 Hong Kong  
 Tel: +852 2950 0631  
 Fax: +852 2950 0022  
 infochina@infastech.com

#### FRANKRIG

##### Avdel France S.A.S.

33 bis, rue des Ardennes  
 BP4  
 75921 Paris Cedex 19  
 Tel: +33 (0) 1 4040 8000  
 Fax: +33 (0) 1 4208 2450  
 AvdelFrance@infastech.com

#### TYSKLAND

##### Avdel Deutschland GmbH

Klusriede 24  
 30851 Langenhagen  
 Tel: +49 (0) 511 7288 0  
 Fax: +49 (0) 511 7288 133  
 AvdelDeutschland@infastech.com

#### INDIEN

##### Infastech Fastening Technologies

##### India Private Limited

Plot No OZ-14, Hi Tech SEZ,  
 SIPCOT Industrial Growth Center,  
 Oragadam, Sriperumbudur Taluk,  
 Kanchipuram District,  
 602105 Tamilnadu  
 Tel: +91 44 4711 8001  
 Fax: +91 44 4711 8009  
 info-in@infastech.com

#### ITALIEN

##### Avdel Italia S.r.l.

Viale Lombardia 51/53  
 20047 Brugherio (MI)  
 Tel: +39 039 289911  
 Fax: +39 039 2873079  
 vendite@infastech.com

#### JAPAN

##### Infastech Kabushiki Kaisha

Center Minami SKY,  
 3-1 Chigasaki-Chuo, Tsuzuki-ku,  
 Yokohama-city,  
 Kanagawa Prefecture  
 Japan 224-0032  
 Tel: +81 45 947 1200  
 Fax: +81 45 947 1205  
 info@infastech.co.jp

#### MALAYSIA

##### Infastech (Malaysia) Sdn Bhd

Lot 63, Persiaran Bunga Tanjung 1,  
 Senawang Industrial Park  
 70400 Seremban  
 Negeri Sembilan  
 Tel: +606 676 7168  
 Fax: +606 676 7101  
 info-my@infastech.com

#### SINGAPORE

##### Infastech (Singapore) Pte Ltd.

31 Kaki Bukit Road 3  
 #05-03/06 Techlink  
 Singapore, 417818  
 Tel: +65 6372 5653  
 Fax: +65 6744 5643  
 info-sg@infastech.com

#### SYDKOREA

##### Infastech (Korea) Ltd.

212-4, Suyang-Ri,  
 Silchon-Eup, Kwangju-City,  
 Kyunggi-Do, Korea, 464-874  
 Tel: +82 31 798 6340  
 Fax: +82 31 798 6342  
 info@infastech.co.kr

#### SPANIEN

##### Avdel Spain S.A.

C/ Puerto de la Morcuera, 14  
 Poligono Industrial Prado Overa  
 Ctra. de Toledo, km 7,8  
 28919 Leganés (Madrid)  
 Tel: +34 91 3416767  
 Fax: +34 91 3416740  
 ventas@infastech.com

#### TAIWAN

##### Infastech/Tri-Star Limited

No 269-7, Baodong Rd,  
 Guanmiao Township,  
 71841 Tainan County,  
 Taiwan, R.O.C  
 Tel: +886 6 596 5798 (ext 201)  
 Fax: +886 6 596 5758  
 info-tw@infastech.com

#### STORBRITANNIEN

##### Avdel UK Limited

Pacific House  
 2 Swiftfields  
 Watchmead Industrial Estate  
 Welwyn Garden City  
 Hertfordshire AL7 1LY  
 Tel: +44 (0) 1707 292000  
 Fax: +44 (0) 1707 292199  
 enquiries@infastech.com

#### USA

##### Avdel USA LLC

614 NC Highway 200 South  
 Stanfield, North Carolina 28163  
 Tel: +1 704 888 7100  
 Fax: +1 704 888 0258  
 infoAvdel-USA@infastech.com

Manual No.	Issue	Change Note No.
07900-00813	A	07/044
	A2	07/103
	A3	11/072

[www.avdel-global.com](http://www.avdel-global.com)  
[www.infastech.com](http://www.infastech.com)

Autosert® (equipment), Avbolt®, Avdel®, Avdelmate®, Avdel TX2000®, Avdelok®, Avex®, Avibulb®, Avinox®, Avinut™, Avlug®, Avmatic®, Avplas®, Avseal®, Avsert®, Avtainer®, Avtronic®, Briv®, Bulbex®, Chobert®, Eurosert®, Fastriv®, Finsert®, Genesis®, Grovit®, Hemlok®, Hexsert®, Holding your world together®, Hydra®, Interlock®, Klamp-Tite®, KlampTite KTR®, Kvex®, Maxlok®, Monobolt®, Monobulb®, Neobolt®, Nutsert®, Nutsert SQ®, Portariv®, Rivmatic®, Rivscrew®, Speed Fastening®, Squaresert®, Stavex®, Supersert®, Thin Sheet Nutsert®, Titan®, T-Lok®, TLR®, TSN®, TX2000®, Versa-Nut®, Viking® og Viking 360® er varemærker tilhørende Avdel UK Limited. Infastech™ og Our Technology, Your Success™ er varemærker tilhørende Infastech Intellectual Properties Pte Ltd. Navne og logoer fra andre virksomheder, som er nævnt i dette dokument, kan være varemærker tilhørende deres respektive ejere. Dette dokument har alene et informativt formål. Infastech yder ingen garantier, hverken direkte eller indirekte, i dette dokument. De viste data kan ændres uden forudgående varsel som følge af vores politik om løbende produktudvikling og -forbedring. Du er velkommen til at kontakte din lokale Avdel-repræsentant, hvis du har brug for yderligere oplysninger.

## 74200 Threaded Insert Power Tool Nose Assembly Fitting Instructions

### IMPORTANT

The air supply must be disconnected when fitting or removing nose assemblies unless specifically instructed otherwise.

### Fitting Instructions

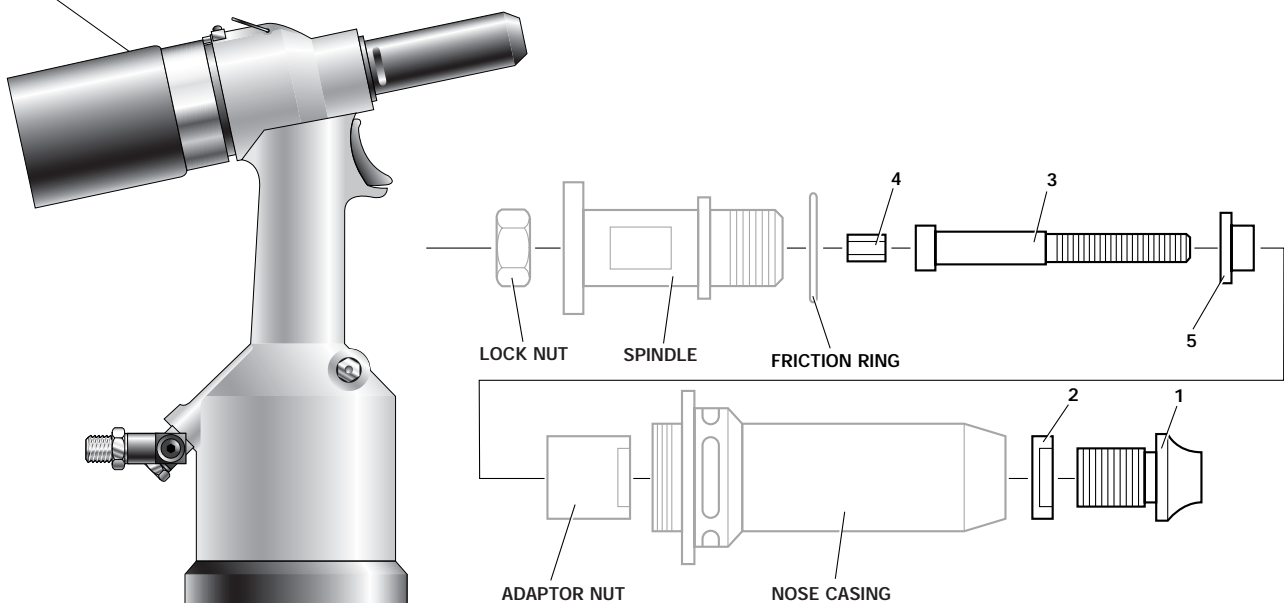
**Note:** Items in grey are included in the Base Tool, part numbers can be found in the 74200 Instruction Manual section General Assembly of Base Tool - Parts List. Items in **black** make up the Nose Assembly, these parts will vary depending on Insert type and size. Refer to section Nose Assemblies of the 74200 Instruction Manual.

**Prior to fitting** ensure that Tool is set at zero stroke by turning Rear Casing clockwise till stop occurs.

Item numbers in **bold** refer to illustration below:

- Remove the Nose Casing and Adaptor Nut from Base Tool.
- Insert Drive Shaft **4** into Spindle.
- Fit Drive Screw **3** onto Drive Shaft **4**.
- Insert Reducing Sleeve **5** (where supplied) into the Adaptor Nut, screw Adaptor Nut onto Spindle. Hold Spindle with a suitable spanner and tighten the Lock Nut anti-clockwise.
- Screw Nose Casing onto Tool, screw Nose Tip **1** with Nose Tip Lock Nut **2** onto Nose Casing.
- Screw **1** off Insert onto Drive Screw, till front face of Insert is flush with end of Drive Screw.
- Adjust Nose Tip till front face of Nose Tip contacts rear of Insert. Holding Nose Tip in position, screw Nose Tip Lock Nut onto front face of Nose Casing, tighten using suitable spanner.
- Adjust Tool stroke as shown in 74200 Instruction Manual section Stroke Adjustment.

Rear Casing



### Servicing Instructions

Nose assemblies should be serviced at weekly intervals.

- Remove the complete Nose Assembly using the reverse procedure to the 'Fitting Instructions'.
- Replace any worn or damaged part.
- Particularly check for wear to Drive Screw.
- Assemble according to fitting instructions.



Since 1922

**Avdel® iForm™**

Since 1936

2010



Our Technology, Your Success

**AUSTRALIA****Infastech (Australia) Pty Ltd.**

891 Wellington Road  
Rowville  
Victoria 3178  
Tel: +61 3 9765 6400  
Fax: +61 3 9765 6445  
info@infastech.com.au

**CANADA****Avdel Canada Limited**

1030 Lorimar Drive  
Mississauga  
Ontario L5S 1R8  
Tel: +1 905 364 0664  
Fax: +1 905 364 0678  
infoAvdel-Canada@infastech.com

**CHINA****Infastech (China) Ltd.**

RM 1708, 17/F., Nanyang Plaza,  
57 Hung To Rd., Kwun Tong  
Hong Kong  
Tel: +852 2950 0631  
Fax: +852 2950 0022  
infocina@infastech.com

**FRANCE****Avdel France S.A.S.**

33 bis, rue des Ardennes  
BP4  
75921 Paris Cedex 19  
Tel: +33 (0) 1 4040 8000  
Fax: +33 (0) 1 4208 2450  
AvdelFrance@infastech.com

**GERMANY****Avdel Deutschland GmbH**

Klusriede 24  
30851 Langenhagen  
Tel: +49 (0) 511 7288 0  
Fax: +49 (0) 511 7288 133  
AvdelDeutschland@infastech.com

**INDIA****Infastech Fastening Technologies India Private Limited**

Plot No OZ-14, Hi Tech SEZ,  
SIPCOT Industrial Growth Center,  
Oragadam, Sriperumbudur Taluk,  
Kanchipuram District,  
602105 Tamilnadu  
Tel: +91 44 4711 8001  
Fax: +91 44 4711 8009  
info-in@infastech.com

**ITALY****Avdel Italia S.r.l.**

Viale Lombardia 51/53  
20047 Brugherio (MI)  
Tel: +39 039 289911  
Fax: +39 039 2873079  
vendite@infastech.com

**JAPAN****Infastech Kabushiki Kaisha**

Center Minami SKY,  
3-1 Chigasaki-Chuo, Tsuzuki-ku,  
Yokohama-city,  
Kanagawa Prefecture  
Japan 224-0032  
Tel: +81 45 947 1200  
Fax: +81 45 947 1205  
info@infastech.co.jp

**MALAYSIA****Infastech (Malaysia) Sdn Bhd**

Lot 63, Persiaran Bunga Tanjung 1,  
Senawang Industrial Park  
70400 Seremban  
Negeri Sembilan  
Tel: +606 676 7168  
Fax: +606 676 7101  
info-my@infastech.com

**SINGAPORE****Infastech (Singapore) Pte Ltd.**

31 Kaki Bukit Road 3  
#05-03/06 Techlink  
Singapore, 417818  
Tel: +65 6372 5653  
Fax: +65 6744 5643  
info-sg@infastech.com

**SOUTH KOREA****Infastech (Korea) Ltd.**

212-4, Suyang-Ri,  
Silchon-Eup, Kwangju-City,  
Kyunggi-Do, Korea, 464-874  
Tel: +82 31 798 6340  
Fax: +82 31 798 6342  
info@infastech.co.kr

**SPAIN****Avdel Spain S.A.**

C/ Puerto de la Morcuera, 14  
Poligono Industrial Prado Overa  
Ctra. de Toledo, km 7,8  
28919 Leganés (Madrid)  
Tel: +34 91 3416767  
Fax: +34 91 3416740  
ventas@infastech.com

**TAIWAN****Infastech/Tri-Star Limited**

No 269-7, Baodong Rd,  
Guanmiao Township,  
71841 Tainan County,  
Taiwan, R.O.C  
Tel: +886 6 596 5798 (ext 201)  
Fax: +886 6 596 5758  
info-tw@infastech.com

**UNITED KINGDOM****Avdel UK Limited**

Pacific House  
2 Swiftfields  
Watchmead Industrial Estate  
Welwyn Garden City  
Hertfordshire AL7 1LY  
Tel: +44 (0) 1707 292000  
Fax: +44 (0) 1707 292199  
enquiries@infastech.com

**USA****Avdel USA LLC**

614 NC Highway 200 South  
Stanfield, North Carolina 28163  
Tel: +1 704 888 7100  
Fax: +1 704 888 0258  
infoAvdel-USA@infastech.com

Manual No.	Issue	Change Note No.
07900-00813	A	07/044
	A2	07/103
	A3	11/072

[www.avdel-global.com](http://www.avdel-global.com)  
[www.infastech.com](http://www.infastech.com)

Autosert® (equipment), Avbolt®, Avdel®, Avdelmate®, Avdel TX2000®, Avdelok®, Avex®, Avibulb®, Avinox®, Avinut™, Avlug®, Avmatic®, Avplas®, Avseal®, Avsert®, Avtainer®, Avtronic®, Briv®, Bulbex®, Chobert®, Eurosert®, Fastriv®, Finsert®, Genesis®, Grovit®, Hemlok®, Hexsert®, Holding your world together®, Hydra®, Interlock®, Klamp-Tite®, KlampTite KTR®, Kvex®, Maxlok®, Monobolt®, Monobulb®, Neobolt®, Nutsert®, Nutsert SQ®, Portariv®, Rivmatic®, Rivscrew®, Speed Fastening®, Squaresert®, Stavex®, Supersert®, Thin Sheet Nutsert®, Titan®, T-Lok®, TLR®, TSN®, TX2000®, Versa-Nut®, Viking® and Viking 360® are trademarks of Avdel UK Limited. Infastech™ and Our Technology, Your Success™ are trademarks of Infastech Intellectual Properties Pte Ltd. The names and logos of other companies mentioned herein may be trademarks of their respective owners. This document is for informational purposes only. Infastech makes no warranties, expressed or implied, in this document. Data shown is subject to change without prior notice as a result of continuous product development and improvement policy. Your local Avdel representative is at your disposal should you need to confirm latest information.