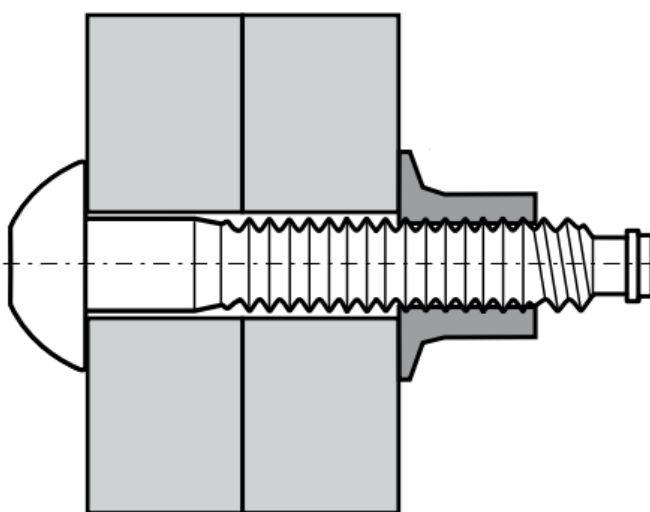


STANLEY.
Engineered Fastening



Nose Assembly Instructions

ORIGINAL INSTRUCTION



NeoBolt[®] Fasteners Installation Equipment

5/16" to 1"

Nose equipment, Hydro-Electric Power Tool and Hydraulic Power Unit

AVDEL[®]

©2019 STANLEY Black & Decker
All rights reserved.

The information provided may not be reproduced and/or made public in any way and through any means (electronically or mechanically) without prior explicit and written permission from STANLEY Engineered Fastening. The information provided is based on the data known at the moment of the introduction of this product. STANLEY Engineered Fastening pursues a policy of continuous product improvement and therefore the products may be subject to change. The information provided is applicable to the product as delivered by STANLEY Engineered Fastening. Therefore, STANLEY Engineered Fastening cannot be held liable for any damage resulting from deviations from the original specifications of the product.

The information available has been composed with the utmost care. However, STANLEY Engineered Fastening will not accept any liability with respect to any faults in the information nor for the consequences thereof. STANLEY Engineered Fastening will not accept any liability for damage resulting from activities carried out by third parties. The working names, trade names, registered trademarks, etc. used by STANLEY Engineered Fastening should not be considered as being free, pursuant to the legislation with respect to the protection of trade marks.

SAFETY RULES

This technical datasheet must be read with particular attention to the safety rules and operating instructions listed in the AV™5, AV™15, AV™20, AV™25, AV™30 and AV™50 Hand Tool Instruction Manuals and the Enerpac® PRO Pump Unit Instruction Manual, by any person fitting or operating the NeoBolt Installation Equipment.

STANLEY ENGINEERED FASTENING® RECOMMENDS THAT ONLY STANLEY ENGINEERED FASTENING® OR ENERPAC® HYDRAULIC POWER UNITS BE USED TO DRIVE AVDEL® INSTALLATION TOOLS, AS OTHER MAKES OF HYDRAULIC POWER UNITS AND TOOLING MAY NOT OPERATE AT THE SAFE DESIGNED WORKING PRESSURES.

ENSURE THAT THERE IS ADEQUATE CLEARANCE FOR THE TOOL OPERATOR'S HANDS BEFORE PROCEEDING.

DO NOT ABUSE THE TOOL BY DROPPING OR USING IT AS A HAMMER.

KEEP DIRT AND FOREIGN MATTER OUT OF THE HYDRAULIC SYSTEM OF THE TOOL AS THIS WILL CAUSE THE TOOL AND PUMP UNIT TO MALFUNCTION. ALSO AVOID CONTAMINATION OF THE NOSE EQUIPMENT AS THIS MAY CAUSE ACCELERATED WEAR OR CLOGGING WHICH MAY JAM THE TOOL.

INTENT OF USE

The NeoBolt Installation Equipment, comprising nose equipment, AV™ Hand Tools, Hydraulic Hose Assembly and PRO Pump Units is designed for placing Avdel® NeoBolt structural fasteners only.

This document is concerned with the specification, set-up and operating instructions specific to the NeoBolt Installation Equipment. The Instruction Manuals for the AV™5, AV™15, AV™20, AV™25, AV™30 & AV™50 Hand Tools and the PRO Pump Unit must be referred to for full details of the specification, operating instructions, servicing and maintenance.

The correct hand tool and nose assembly must be selected for each NeoBolt fastener size. The tables below provides a full list of nose assemblies and base hand tools required and should be used to select the correct placing equipment.

IMPORTANT

The tools and nose assemblies must be used in accordance with the safety rules and fitting instructions contained within this datasheet and the tool instruction manual. The placing of fasteners not included in this datasheet could have a detrimental impact on the working life of the tool and nose assemblies and could invalidate the warranty.

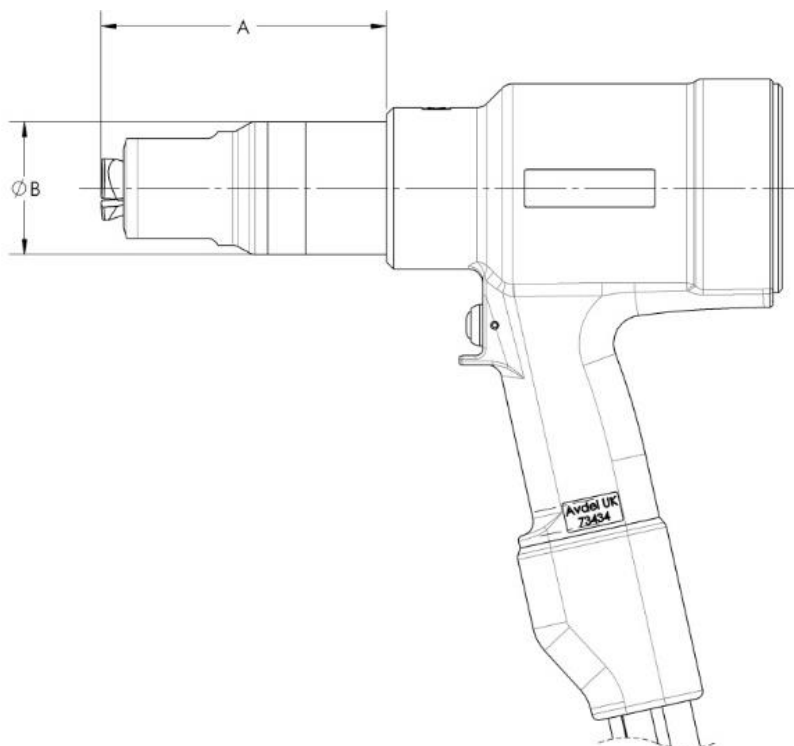
NeoBolt		NOSE ASSEMBLY			PLACING TOOL		
SIZE	TYPE	PART NUMBER	DIM 'A'	DIM 'B'	MODEL	PART NUMBER	INSTRUCTION MANUAL
5/16"	STANDARD	73200-05000	100	27	AV5	73425-02000	07900-01025
	XT	73200-05000	100	27	AV5	73425-02000	07900-01025
	ALUMINIUM	73200-05000	100	27	AV5	73425-02000	07900-01025
3/8"	XT	73200-05400	100	27	AV5	73425-02000	07900-01025
	ALUMINIUM	73200-05400	100	27	AV5	73425-02000	07900-01025
12mm	XT	73432-03800 ²	113	47	AV15 ²	73432-02000 ²	07900-01021
	XT	73482-03800	113	47	AV20	73482-00001 (EU) 73482-00003 (NA)	07900-01120
1/2"	XT	73432-03300 ²	101	47	AV15 ²	73432-02000 ²	07900-01021
	XT	73482-03700	101	47	AV20	73482-00001 (EU) 73482-00003 (NA)	07900-01120

NeoBolt		NOSE ASSEMBLY			PLACING TOOL		
SIZE	TYPE	PART NUMBER	DIM 'A'	DIM 'B'	MODEL	PART NUMBER	INSTRUCTION MANUAL
14mm	XT	73483-03700	129	56	AV25	73483-00001 (EU) 73483-00003 (NA)	07900-01121
	XT	73434-03700 ²	123	56	AV30 ²	73434-02000 ²	07900-01022
5/8"	XT	73483-03500	123	56	AV25	73483-00001 (EU) 73483-00003 (NA)	07900-01121
	XT	73434-03500 ²	123	56	AV30 ²	73434-02000 ²	07900-01022
16mm	XT	73434-03400	126	56	AV25	73483-00001 (EU) 73483-00003 (NA)	07900-01121
	XT	73434-03400 ²	126	56	AV30 ²	73434-02000 ²	07900-01022
3/4"	XT	73483-03600	129	56	AV25	73483-00001 (EU) 73483-00003 (NA)	07900-01121
	XT	73434-03600 ²	129	56	AV30 ²	73434-02000	07900-01022
20mm	XT	NOTE ¹	-	-	-	-	-
1"	XT	73435-03600	164	71	AV50	73435-02000	07900-01023

NOTE¹: Not yet released.

NOTE²: Non-preferred tool - will not install full NeoBolt grip range.

Refer to the illustration below for the identification of the nose assembly dimensions 'A' and 'B'.



INTENT OF USE

Although non-preferred, it is also possible to use standard Huck® placing tools in combination with NeoBolt nose assemblies in order to install certain sizes of NeoBolt fasteners.

The table below provides a full list of NeoBolt nose assemblies and the applicable Huck placing tools. It is important to note that it becomes the customer's responsibility to ensure the placing tool and any associated pump unit is operated safely with appropriate oil pressures to ensure the fastener and nose equipment are not subject to excessive loading in operation.

It should also be noted that future design changes made by Huck to their placing tool designs may mean that NeoBolt nose assemblies no longer fit correctly. If in any doubt, please contact STANLEY Engineered fastening support for advice.

NeoBolt		NOSE ASSEMBLY			PLACING TOOL		
SIZE	TYPE	PART NUMBER	DIM 'A'	DIM 'B'	MODEL	PART NUMBER	INSTRUCTION MANUAL
5/16"	STANDARD	73200-05000	100	27	2581 2582 2583	-	-
	XT	73200-05000	100	27	2581 2582 2583	-	-
3/8"	XT	73200-05400	100	27	2581 2582 2583	-	-
	ALUMINIUM	73200-05400	100	27	2581 2582 2583	-	-
12mm	XT	73432-03600	33	34	SF20	-	-
	XT	73432-04000	108	43	BTT25	-	-
1/2"	XT	73432-04200	108	43	BTT25	-	-
	XT	73432-04100	34	45	SFBTT20	-	-
5/8"	XT	73432-04300	34	45	SFBTT20	-	-
	XT	73434-03800	119	45	BTT35	-	-
	XT	73434-04300	156	45	BTT35LS	-	-
16mm	XT	73434-03900	119	45	BTT35	-	-

INTENT OF USE

The basic specification of each PRO pump unit is listed in the table below to aid selection of the most suitable device.

PUMP UNIT																			
PART NUMBER	76501-02000	76501-02500	76502-02000	76502-02500	76503-02000	76503-02500	76504-02000	76504-02500	76505-02000	76505-02500	76506-02300	76507-02300	76508-02000	76508-02500	76510-02000	76510-02500	76511-02000	76511-02500	
NAME	PRO115-A	PRO115-F	PRO220-A	PRO220-E	PRO240-A	PRO240-F	PRO415-A	PRO415-F	PRO480-A	PRO480-F	PRO115E-D	PRO220E-D	PRO240 PLUS-A	PRO240 PLUS-F	PRO415 PLUS-A	PRO415 PLUS-F	PRO480 PLUS-A	PRO480 PLUS-F	
MOTOR POWER (kW)	1.1		1.1		1.1		1.1		1.1		1.25	1.25	5.6		5.6		5.6		
VOLTAGE (V)	115		208-240		208-240		380-415		460-480		115	208-240	208-240		380-415		460-480		
FREQUENCY (Hz)	50-60		50-60		50-60		50-60		50-60		50-60	50-60	50-60		50-60		50-60		
PHASE	1		1		3		3		3		1	1	3		3		3		
FLOW RATE @ 700 bar (l/min)	0.8		0.8		0.8		0.8		0.8		1	1	2.7		2.7		2.7		
RESERVOIR VOL. (l)	10		10		10		10		10		4	4	10		10		10		
WEIGHT WITH OIL (kg)	51	86	51	51	51	86	51	86	51	86	36	36	78	113	78	113	78	113	
LCD DISPLAY	X	X	X	X	X	X	X	X	X	X	X	X	X	X	X	X	X	X	X
HEAT EXCHANGER		X		X		X		X		X	X	X		X		X		X	
SKID BAR											X	X							
ROLL CAGE		X		X		X		X		X				X		X		X	
WHEEL BASE		X		X		X		X		X				X		X		X	

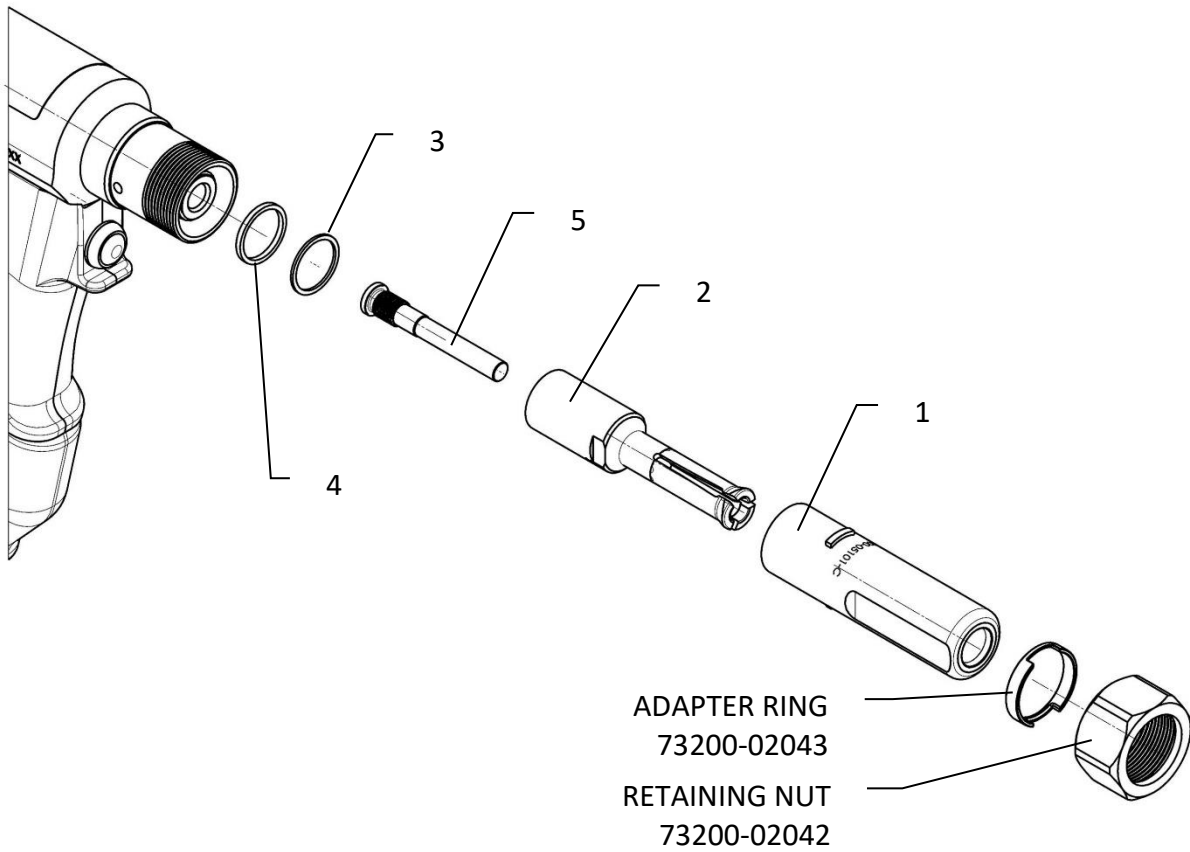
The hand tool is fitted with two Hydraulic Hoses and an Electrical Control Cable, 0.6m in length. Additional Hydraulic Hose and Cable extension lengths are available to order separately as required. Refer to the table below for the available Hose Assembly lengths and associated part numbers.

HYDRAULIC HOSE ASSEMBLY	
PART NUMBER	HOSE LENGTH
07008-00448	5 METRE
07008-00449	10 METRE
07008-00450	15 METRE

5/16" AND 3/8" NEOBOLT® NOSE EQUIPMENT FOR THE AV™5

IMPORTANT
 ENSURE THE PUMP UNIT POWER SUPPLY IS DISCONNECTED BEFORE FITTING OR REMOVING THE NOSE ASSEMBLY

NeoBolt		NOSE ASSEMBLY	1		2		3		4		5	
SIZE	TYPE	PART NUMBER	ANVIL		COLLET		SPACER		SPACER		COLLET STOP	
			PART NUMBER	QTY	PART NUMBER	QTY	PART NUMBER	QTY	PART NUMBER	QTY	PART NUMBER	QTY
5/16"	STANDARD	73200-05000	73200-05001	1	73200-05002	1	73200-05003	1	73200-05004	1	73200-05005	1
	XT	73200-05000	73200-05001	1	73200-05002	1	73200-05003	1	73200-05004	1	73200-05005	1
3/8"	XT	73200-05400	73200-05401	1	73200-05102	1	73200-05003	1	73200-05004	1	73200-05103	1
	ALUMINIUM	73200-05400	73200-05401	1	73200-05102	1	73200-05003	1	73200-05004	1	73200-05103	1



FITTING INSTRUCTIONS

Item numbers in **bold** refer to nose assembly components in the tables and illustration above.

For optimum adjustment of the collet positioning Optional Spacer rings **3** and **4** are provided with each nose assembly. It is recommended that the 1mm thick ring **3** is used for the initial assembly, however more or less spacing may be required to suit the particular tool.

Apply Loctite 243 to the thread on the Collet Stop **5** and insert into the rear of the Collet **2**. Ensure the Collet Stop **2** is tightened fully against the mating face inside the Collet **2**.

Lightly coat the outer surface of the Collet **2** jaws and the Anvil **1** bore with Moly Lithium grease.

FITTING INSTRUCTIONS

Clean the threaded end of the tool piston rod and apply two drops of Loctite® 243 threadlock to the middle of the threaded region.

Fit appropriate Optional Spacer Ring(s) **3** and **4** over placing tool piston rod.

Screw Collet **2** onto the placing tool piston rod until it reaches the end of the piston rod thread and lightly tighten using a spanner on the flats of Collet **2**.

Slide Anvil **1** over Collet **2** and push the expanded end of the Collet into the Anvil bore. Some force will be required to do this, and so care should be taken to prevent pinching of hands – ideally wear protective gloves or cover the Anvil with a thick rag.

Once the lugs of the Anvil **1** are resting against the end of the tool head, slide the Adaptor Ring **73200-02043**, with its cut-outs facing the tool, over the Anvil **1** and align so that the Collet lugs engage with the cut-outs in the Adaptor Ring **73200-02043**.

Screw the Retaining Nut **73200-02042** onto the threaded end of the placing tool head and tighten with a spanner.

Check that Collet **2** is positioned correctly within the Anvil **1**. The opening in the centre of the Collet should be slightly larger than the NeoBolt pin pulling tail diameter and as a guide the Collet should protrude by about 5mm from the front face of the Anvil. (Excessive Collet protrusion will reduce the available tool stroke when installing NeoBolt fasteners close to minimum grip condition.) If the Collet opening is too small, additional spacing is required. If the Collet protrusion is too great, reduce the spacer thickness.

Removal of the Anvil **1** and Collet **2** is the reverse procedure.

SERVICING INSTRUCTIONS

Nose assemblies should be serviced at weekly intervals. You should hold some stock of all internal components of the nose assembly as they will need regular replacement.

Remove the nose assembly using the reverse procedure to the 'Fitting Instructions'.

Any worn or damaged part should be replaced.

Clean and check wear on the Collet **2** jaws and the Anvil **1** bore.

Clean and inspect components, renewing worn or damaged items.

Re-assemble according to the 'Fitting Instructions'.

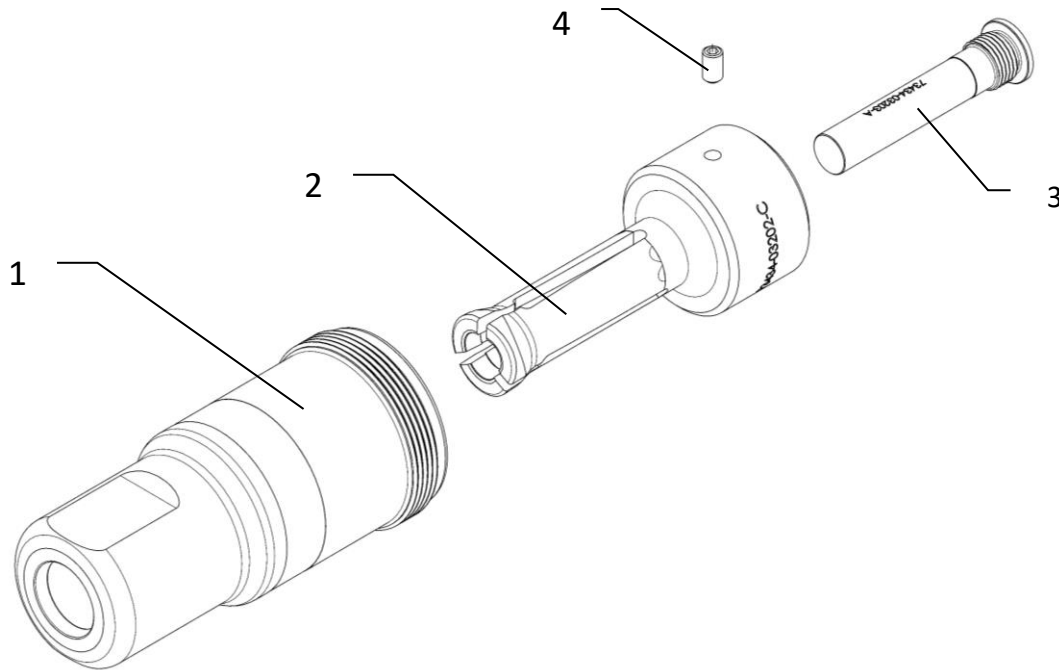
12mm, 1/2", 14mm, 5/8", 16mm, 3/4" AND 1" NOSE EQUIPMENT

IMPORTANT
 ENSURE THE PUMP UNIT POWER SUPPLY IS DISCONNECTED BEFORE FITTING OR REMOVING THE NOSE ASSEMBLY

NeoBolt		NOSE ASSEMBLY	1		2		3		4	
SIZE	TYPE	PART NUMBER	ANVIL		COLLET		COLLET STOP		SET SCREW	
			PART #	QTY	PART #	QTY	PART #	QTY	PART #	QTY
12mm	XT	73432-03800 ²	73432-03801	1	73432-03502	1	73432-03503	1	07001-00404	1
	XT	73482-03800	73482-03801	1	73432-03502	1	73432-03503	1	07001-00404	1
1/2"	XT	73432-03700 ²	73432-03701	1	73432-03302	1	73432-03303	1	07001-00404	1
	XT	73482-03700	73482-03701	1	73432-03302	1	73432-03303	1	07001-00404	1
14mm	XT	73483-03700	73483-03701	1	73483-03702	1	73483-03703	1	07001-00693	1
	XT	73434-03700 ²	73434-03701	1	73434-03702	1	73434-03703	1	07001-00693	1
5/8"	XT	73483-03500	73483-03501	1	73434-03202	1	73434-03203	1	07001-00693	1
	XT	73434-03500 ²	73434-03501	1	73434-03202	1	73434-03203	1	07001-00693	1
16mm	XT	73434-03400	73434-03401	1	73434-03402	1	73434-03403		07001-00693	1
3/4"	XT	73483-03600	73483-03601	1	73434-03302	1	73434-03303	1	07001-00693	1
	XT	73434-03600 ²	73434-03601	1	73434-03302	1	73434-03303	1	07001-00693	1
20mm	XT	NOTE ¹	-	-	-	-	-	-	-	-
1"	XT	73435-03600	73435-03601	1	73435-03202	1	73435-03205	1	07001-00693	1

NOTE¹: Not yet released.

NOTE²: Non-preferred equipment - will not install full NeoBolt grip range.



FITTING INSTRUCTIONS

Item numbers in **bold** refer to nose assembly components in the tables and illustration above.

- Apply Loctite 243 to the thread on the Collet Stop **3** and insert into the rear of the Collet **2**. Ensure the Collet Stop **2** is tightened fully against the mating face inside the Collet **2**.
- Lightly coat the outer surface of the Collet **2** jaws and the Anvil **1** bore and outer thread with Moly Lithium grease.
- Make a note of the orientation of the slot in the piston rod threaded end. Screw Collet **2** and Collet Stop **3** onto the placing tool piston rod until it contacts the end of the piston. Unscrew the Collet **2** by approximately two full rotations.
- Apply Loctite 243 to the Set Screw **4** thread. Insert the Set Screw into the Collet **2**. Rotate the Collet **2** on the piston rod in either direction until the Set Screw **4** is aligned with the slot on the piston rod. Tighten the Set Screw **4** into the slot on the piston rod. Ensure the Set Screw **4** sits below the exterior surface of the Collet **2**.
- Slide Anvil **1** over Collet **2** and push the expanded end of the Collet into the Anvil bore. Some force will be required to do this and so care should be taken to prevent pinching of hands – ideally wear protective gloves or cover the Anvil with a thick rag. For the larger sizes the use of a mechanical press may be advisable. Take care however to avoid the use of excessive force as this may damage to nose assembly or tool body.
- Screw the Anvil **1** fully into the body of the placing tool using a spanner if required. There is a locking ‘O’ Ring which will create a resistance to the final few turns of the Anvil **1**. It is important that the Anvil **1** be only gently tightened up against the rear locking face.
- Check that Collet **2** is positioned correctly within the Anvil **1**. The opening in the centre of the Collet should be slightly larger than the NeoBolt pin pulling tail diameter. (Excessive Collet protrusion will reduce the available tool stroke when installing NeoBolt fasteners close to minimum grip condition.)
- If the Collet opening is too small it will be necessary to remove the Anvil **1**, unscrew the Set Screw **4** completely, and unscrew the Collet **2** on the tool piston rod by half a turn at a time. If the Collet opening is too large it may be necessary to remove the Anvil **1**, unscrew the Set Screw **4**, and screw the Collet **2** clockwise further onto the tool piston rod by half a turn at a time. Refit the Set Screw **3** in the piston rod slot before replacing the Anvil **1**.

SERVICING INSTRUCTIONS

Nose assemblies should be serviced at weekly intervals. You should hold some stock of all internal components of the nose assembly as they will need regular replacement.

- Remove the nose assembly using the reverse procedure to the ‘Fitting Instructions’.
- Any worn or damaged part should be replaced.
- Clean and check wear on the Collet **2** jaws and the Anvil **1** bore.
- Clean and inspect components, renewing worn or damaged items.
- Assemble according to the ‘Fitting Instructions’.

PUTTING IN TO SERVICE

I M P O R T A N T

IMPORTANT – READ THE APPROPRIATE PLACING TOOL MANUAL CAREFULLY BEFORE PUTTING INTO SERVICE.

PERSONAL INJURY OR DAMAGE TO EQUIPMENT MAY OCCUR WITHOUT CORRECT PRESSURES. THE PULL AND RETURN SUPPLIED BY THE HYDRAULIC PUMP MUST NOT EXCEED THOSE PRESSURES LISTED IN THE PLACING TOOL SPECIFICATION

I M P O R T A N T – BEFORE PUTTING THE TOOL INTO SERVICE:

- **ENSURE THAT THE PUMP PRESSURE RELIEF VALVES HAVE BEEN SET IN ACCORDANCE WITH THE INSTRUCTION ON PAGES 10, 11 AND 12.**
- **ENSURE THAT THE HOSE KIT IS PRIMED WITH HYDRAULIC FLUID IN ACCORDANCE WITH THE PROCEDURE IN THE PUMP INSTRUCTION MANUAL 07900-01030.**

PRESSURE SETTINGS

CAUTION

CAUTION - CORRECT HYDRAULIC PRESSURES ARE IMPORTANT FOR PROPER FUNCTION OF THE INSTALLATION TOOL AND FOR CORRECT INSTALLATION OF THE NeoBolt FASTENER.

For correct installation of NeoBolt fasteners the hydraulic pressure for the specified placing tool must be set as stated in the table below.

NeoBolt		PLACING TOOL		PUMP PRESSURE SETTINGS (bar)	
SIZE	TYPE	MODEL	PART NUMBER	HI-PRESS	RELIEF VALVE
5/16"	STANDARD	AV5	73425-02000	210	250
	XT	AV5	73425-02000	TBD	TBD
	ALUMINIUM	AV5	73425-02000	TBD	TBD
3/8"	XT	AV5	73425-02000	260	300
	ALUMINIUM	AV5	73425-02000	TBD	TBD
12mm	XT	AV15	73432-02000 ²	400	440
	XT	AV20	73482-00001 / 73482-00003	400	440
1/2"	XT	AV15	73432-02000 ²	330	370
	XT	AV20	73482-00001 / 73482-00003	330	370
14mm	XT	AV25	73483-02000	340	380
	XT	AV30	73434-02000 ²	280	320
5/8"	XT	AV25	73483-00001 / 73483-00003	340	380
	XT	AV30	73434-02000 ²	270	310
16mm	XT	AV25	73483-00001 / 73483-00003	450	590
	XT	AV30	73434-02000 ²	360	400
3/4"	XT	AV25	73483-00001 / 73483-00003	400	440
	XT	AV30	73434-02000 ²	320	360
20mm	XT	-	-	-	-
1"	XT	AV50	73435-02000	280	320

NOTE²: Non-preferred tool - will not install full NeoBolt grip range.

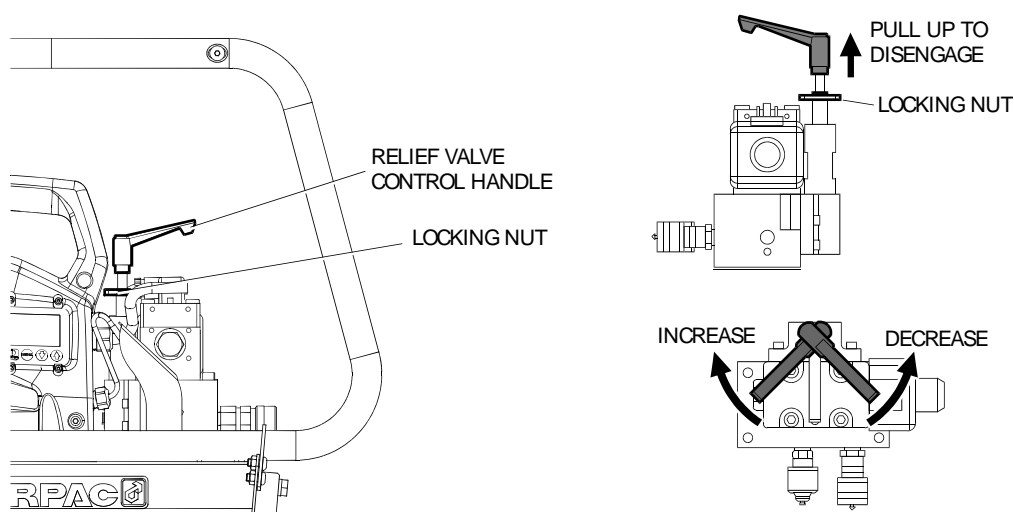
PUMP PRESSURE SETTINGS LOWER THAN THOSE STATED ABOVE WILL NOT FULLY SWAGE THE NEOBOLT COLLAR, LEADING TO LOWER THAN SPECIFIED PERFORMANCE FOR THE FASTENER.

PUMP PRESSURE SETTINGS HIGHER THAN THOSE STATED ABOVE MAY CAUSE FAILURE OF THE NEOBOLT PIN DURING INSTALLATION AND WILL ALSO REDUCED THE LIFE OF THE NOSE EQUIPMENT.

PRESSURE SETTINGS

The pump has two methods for limiting the pull / advance pressure to the placing tool. The process below explains how to correctly set these pressure limits.

- Refer to the PRO Pump Unit Instruction Manual for the operating instructions and guidance on the use of the LCD Menus.
- Disconnect the placing tool and hoses from the pump.
- Connect the unit to the power supply and switch ON, as described on pages 11 and 12 of the Pump Unit Instruction Manual.
- Activate the LOCAL mode by displaying the 'LOCAL' menu and toggling the setting to 'ON' using the Arrow buttons. Save the setting by pressing the MENU button once.
- Display the 'HI PRESS' menu and adjust the value to 600 bar using the Up Arrow button. Save the setting and return to the 'AVDEL' display by pressing and holding the MENU button for 2 seconds.
- Press and hold the Up Arrow. This will switch the valve solenoid to the pull / advance position and the relief valve pressure setting will be displayed on the LCD screen. Releasing the Up Arrow will switch the valve solenoid back to the return position and the return relief valve pressure will be displayed on the screen. The motor will then switch off after 5 to 20 seconds and the solenoid valve will switch to the idle position.
- Loosen the relief valve locking nut and turn the relief valve control handle counter-clockwise until there is a light drag when turning, this will decrease the pull / advance pressure. Refer to the illustration below.



PRESSURE SETTINGS

- Start the pump and press and hold the Up Arrow as previously described to build pressure in the pull / advance circuit. While holding the Up Arrow button turn the relief valve control handle until the pressure display reads the pressure stated in the 'RELIEF VALVE' column of the above table for the specified NeoBolt size.
- **Note:** To get an accurate setting, decrease the pressure to a point below the final setting and then slowly increase the pressure until it reaches the correct setting.
- Tighten the relief valve locking nut.
- Release the Up Arrow button. Then recheck the final pressure setting by pressing the Up Arrow and pressurizing the system again.
- De-activate the LOCAL mode by displaying the 'LOCAL' menu and toggling the setting to 'OFF'. Save the setting by pressing the MENU button once.
- Display the 'HI PRESS' menu. Adjust the pressure value to the pressure stated in the 'HI PRESS' column of the above table, for the specified NeoBolt size, using the Down Arrow button. Save the setting and return to the 'AVDEL' display by pressing and holding the MENU button for 2 seconds.

RETURN TIMER SETTING

The pump has an adjustable Return Timer that allows operator to set the length of time that the motor will run, after releasing the trigger or achieving the 'High Pressure' value, before switching to idle mode.

The timer can be set at any value between 5 and 20 seconds but must be adjusted to allow the placing tool piston sufficient time to fully return before switching the motor off.

The following timer settings are recommended for the Avdel® range of placing tools and pumps.

PUMP RETURN TIMER SETTING						
TOOL MODEL	AV5	AV15	AV20	AV25	AV30	AV50
PUMP PRO 115 / 220 / 240 / 415 / 480 TIMER SETTINGS	5 seconds	5 seconds	7 seconds	10 seconds	8 seconds	10 seconds
PUMP PRO 115E / 220E TIMER SETTINGS	5 seconds	5 seconds	7 seconds	10 seconds	8 seconds	10 seconds

The process below explains how to correctly set the Return Timer.

- Connect the unit to the power supply and switch on as described on pages 11 and 12 of the pump unit instruction manual
- Press the MENU button on the LCD screen until the 'RET TIME' menu is displayed.
- Use the Up and Down Arrows to adjust to the timer in 1 second intervals to the desired value.
- Save the setting and return to the 'AVDEL' display by pressing and holding the MENU button for 2 seconds. The timer is now set.

CHECKING THE JOINTS FOR NEOBOLT FASTENERS

- Measure and ensure that the total joint thicknesses (the combination of the thickness of all the layers in all joints to be fastened) fall within the grip range specified for the NeoBolt fastener. Refer to the

NeoBolt datasheet or Sales Drawing. To help with identification, each NeoBolt pin has the grip length code embossed on the pin head.

- Check application and remove excessive gaps between the layers of the joint. Gaps may be due to joint layers being bent or distorted. The gap is excessive if it is not possible to screw the collar fit-up tab onto the pin fit-up thread by at least half a turn. Additional clamping of the joint may be necessary to avoid excessive gaps.
- Measure and ensure that the hole diameters fall within the specified range. Ensure that holes are aligned in the different layers. Do not force pins into poorly aligned holes as this can damage the pin surface and fit-up thread. If necessary increase hole sizes up to the maximum specified diameter to ease pin insertion.

TO INSTALL NEOBOLT FASTENERS

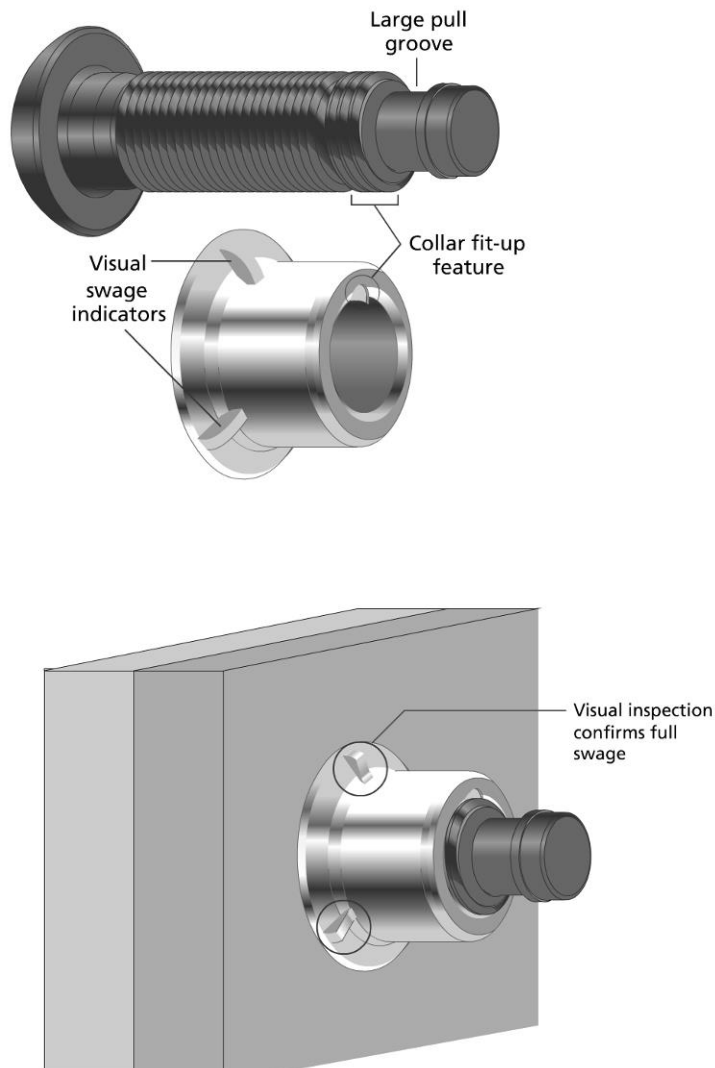
- Place NeoBolt pin tail into hole and push fully through the joint layers.
- Fit NeoBolt collar over the pin tail (the flanged end of the collar must be closest to the workpiece) and rotate clockwise to engage the collar onto the pin fit-up thread by at least half a turn.
- Push the Collet fully over the pin pulling tail until Collet fully covers the pulling groove on the NeoBolt pin. The placing tool must be held perpendicular (90°) to the workpiece surface.
- Depress and hold the tool trigger switch to start the installation cycle. The Collet will grip the NeoBolt pin tail and pull the Anvil up against the collar.
- Continue to hold the trigger down until the collar is fully swaged and the forward motion of the Anvil stops against the collar flange.
- Release the trigger. The placing tool piston and Collet will then return to push the Anvil off the installed collar and release the pintail from the Collet.
- Once the installed fastener has been ejected from the Anvil, the placing tool, nose assembly and pump unit are ready for the next installation.

CAUTION

DO NOT RELEASE THE TRIGGER UNTIL THE PLACING TOOL PULL CYCLE IS COMPLETE. RELEASING THE TRIGGER BEFORE THIS POINT WILL RESULT IN AN INCORRECTLY PLACED AND PARTIALLY INSTALLED NEOBOLT FASTENER.

VISUAL INSPECTION OF INSTALLED NEOBOLT FASTENERS

- The raised radial bars on the installed NeoBolt collar flange should show signs of having been flattened by the front face of the swaging Anvil (see below).
- The pin tail should not be greatly distorted, break or shear off. Some minor marking of the bearing surface in the pull groove is however normal.



GENERAL ADVICE FOR INSTALLING NEOBOLT FASTENERS

- When installing multiple NeoBolt fasteners, fit all the collars onto the pins prior to using the placing tool.
- Avoid dropping the tool as the impact can damage the end of the collet or allow dirt and grit to clog and wear out the nose equipment prematurely.

STANLEY.
Engineered Fastening

STANLEY Engineered Fastening

STANLEY House, Works Road
Letchworth Garden City
Hertfordshire, United Kingdom
SG6 1JY
Tel: +44 1582 900 000
Fax: +44 1582 900 001



Holding your world together®

Find your closest STANLEY Engineered Fastening location on
www.stanleyengineeredfastening.com/contact
For an authorized distributor nearby please check
www.stanleyengineeredfastening.com/econtact/distributors

Manual Number	Issue	C/N
07900-01072	C3	20/114

STANLEY.
Engineered Fastening

Stanley Engineered Fastening — a division of Stanley Black & Decker — is the global leader in precision fastening and assembly solutions. Our industry-leading brands, Avdel®, Integra™, Nelson®, Optia™, POP®, STANLEY® Assembly Technologies, and Tucker®, elevate what our customers create. Backed by a team of passionate and responsive problem-solvers, we empower engineers who are changing the world.

STANLEY ENGINEERED FASTENING FAMILY OF BRANDS

AVDEL. INTEGRA. NELSON. OPTIA. POP. STANLEY Assembly Technologies. TUCKER.