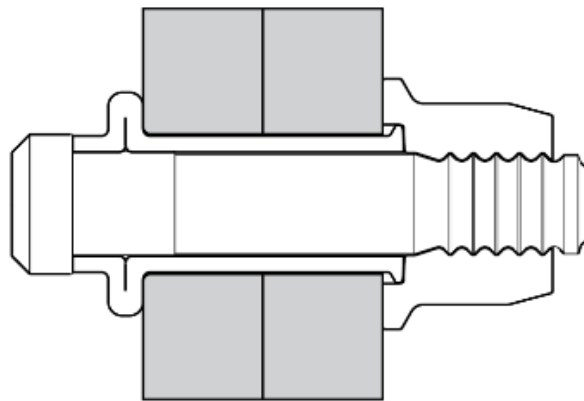


STANLEY.
Engineered Fastening



Nose Assembly Instructions

ORIGINAL INSTRUCTION



Avbolt®

07267, 07287, 73200, AV™5, AV™10, AV™15 and AV™30 Tools

AVDEL®

©2019 STANLEY Black & Decker

All rights reserved.

The information provided may not be reproduced and/or made public in any way and through any means (electronically or mechanically) without prior explicit and written permission from STANLEY Engineered Fastening. The information provided is based on the data known at the moment of the introduction of this product. STANLEY Engineered Fastening pursues a policy of continuous product improvement and therefore the products may be subject to change. The information provided is applicable to the product as delivered by STANLEY Engineered Fastening. Therefore, STANLEY Engineered Fastening cannot be held liable for any damage resulting from deviations from the original specifications of the product.

The information available has been composed with the utmost care. However, STANLEY Engineered Fastening will not accept any liability with respect to any faults in the information nor for the consequences thereof. STANLEY Engineered Fastening will not accept any liability for damage resulting from activities carried out by third parties. The working names, trade names, registered trademarks, etc. used by STANLEY Engineered Fastening should not be considered as being free, pursuant to the legislation with respect to the protection of trade marks.

SAFETY RULES

This technical datasheet must be read with particular attention to the safety rules and operating instructions listed in associated placing tool Instruction Manuals, by any person fitting or operating the Avbolt® nose assemblies and hand tools.

INTENT OF USE

The Avbolt® nose assemblies in combination with the 07267, 07287, 73200, AV™5, AV™10, AV™15 and AV™30 tools are designed for placing Avdel® Avbolt® structural fasteners only. The correct placing tool and nose assembly must be selected for each fastener size as shown in Tables 1a and 1b below.

IMPORTANT

The tools and nose assemblies must be used in accordance with the safety rules and fitting instructions contained within this datasheet and the tool instruction manual. The placing of fasteners not included in this datasheet could have a detrimental impact on the working life of the tool and nose assemblies and could invalidate the warranty.

Tables 1a and 1b provide a full list of part numbers, nose assemblies and base tools required to place each Avbolt® size. This table should be used to select and order the correct placing equipment. Please note that there are various nose assembly options available to fit either Avdel®, Avlock or Huck® hand tools.

For the fitting and servicing instructions for each nose assembly refer to the page number provided in Table 1.

Table 1a: Nose Equipment Part Numbers					
AVBOLT SIZE <i>Part #</i>	NOSE ASSEMBLY		JAWS	BASE TOOL	
	PART N°	REF. PAGE	PART N°	MODEL	PART N°
3/16" <i>21021-006xx</i>	07220-08100	4	07220-08103	7267	07267-00200
				7287	07287-00200
				73200	73200-02000
	07220-08200	4	07220-08103	HUCK® 256	-
1/4" <i>21021-008xx</i>	07220-07500	6	07220-07502	7267	07267-00200
				7287	07287-00200
				73200	73200-02000
				AV™5	73425-02000
	07220-07600	6	07220-07502	HUCK® 256	-
5/16" <i>21021-010xx</i>	07220-07700	8	73411-03303	7287	07287-00200
				AV™5	73425-02000
	07220-07800	8	73411-03303	HUCK® 256, 2503, 2580	-
	73411-03300	10	73411-03303	AVLOCK T10	-
	73411-03400	10	73411-03303	HUCK® 2600	-
	73430-03300	10	73411-03303	AV™10	73430-02000
3/8" <i>21001-012xx</i>	73411-03200	12	73411-03203	AVLOCK T10	-
	73411-03500	12	73411-03203	HUCK® 2600	-
	73430-03200	12	73411-03203	AV™10	73430-02000

INTENT OF USE

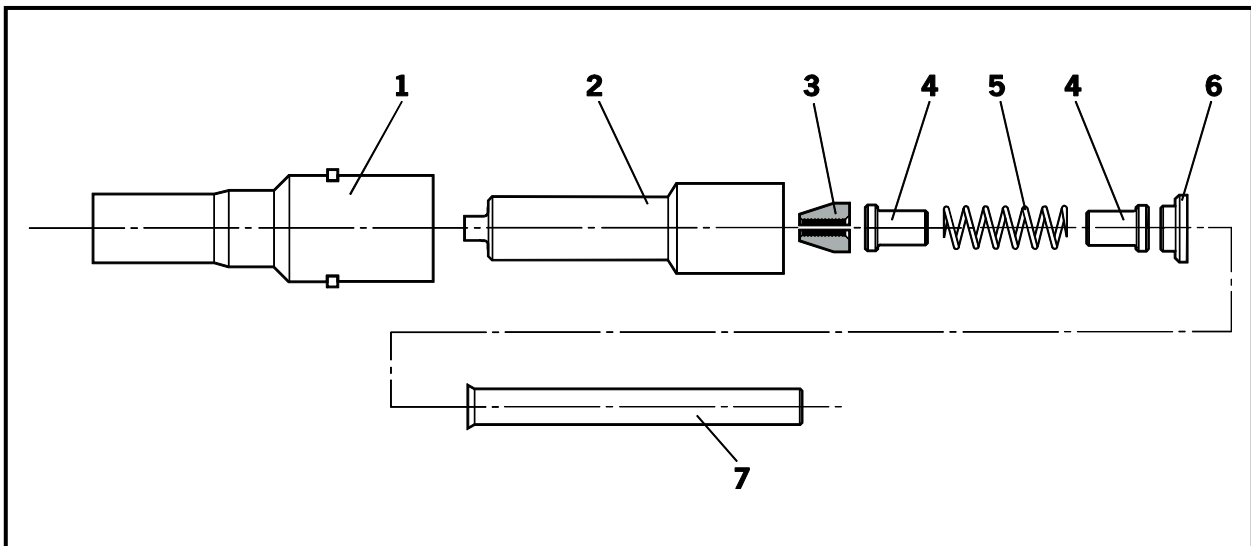
AVBOLT SIZE <i>Part #</i>	NOSE ASSEMBLY		JAWS	BASE TOOL	
	PART N°	REF. PAGE	PART N°	MODEL	PART N°
1/2" <i>21001-016xx</i>	73412-03600	14	73412-03603	AV™30	73434-02000
				AVLOCK T30 & T40	-
	73412-03700	16	73412-03603	HUCK® 2620	-
	73432-03100	18	73432-03103	AV™15	73432-02000
	73433-03100	14	73412-03603	AV™15	73432-02000
1/2" <i>21011-016xx</i>	73412-04600	16	73412-03603	HUCK® 2620	-
5/8" <i>21001-020xx</i>	73412-03400	20	73412-03403	AV™30	73434-02000
				AVLOCK T30 & T40	-
	73412-03500	22	73412-03403	HUCK® 2628	-

*3/16" AVBOLT® NOSE ASSEMBLIES - 07220-08100 AND 07220-08200***IMPORTANT**

The air supply must be disconnected when fitting or removing nose assemblies.

NOSE ASSEMBLY for Avdel® 07267, 07287, 73200 tools Part No. 07220-08100		
ITEM	DESCRIPTION	PART No
1	ANVIL	07220-08101
2	COLLET	07220-08102
3	JAWS	07220-08103
4	SPRING GUIDE	07220-08104
5	SPRING	07220-02103
6	SPACER	07220-08105
7	PINTAIL TUBE	07220-07505

NOSE ASSEMBLY for Huck® 256 tool Part No. 07220-08200		
ITEM	DESCRIPTION	PART No
1	ANVIL	07220-08101
2	COLLET	07220-08102
3	JAWS	07220-08103
4	SPRING GUIDE	07220-08104
5	SPRING	07220-02103
6	SPACER-HUCK®	07220-08201
7	PINTAIL TUBE	07220-07505

***FITTING INSTRUCTIONS***

Item numbers in **bold** refer to nose assembly components in the tables and illustration above.

- Lightly coat Jaws **3** with Moly Lithium grease.
- Assemble Spring Guide **4** and Spring **5** and stand on end on a flat even surface.
- Balance the three Jaws **3** on the upper Spring Guide **4**.
- Carefully lower Collet **2** over the assembled components.
- Holding the assembled collet pointing downwards insert Spacer **6** behind the rear Spring Guide **4**.
- Insert Pintail Tube **7** into the tool head piston bore.
- Holding the tool pointing down, screw the assembled collet fully onto the tool head piston and tighten with a suitable spanner.

3/16" AVBOLT® NOSE ASSEMBLIES - 07220-08100 AND 07220-08200

FITTING INSTRUCTIONS

07267, 07287, 73200 Tools:

- Place Anvil **1** over Collet **2** and onto the tool, ensuring that the lugs on the body enter the slots in the head extension of the tool.
- Turn the reducing adaptor body through 90° then turn the head extension ring until it springs into its position in the slots of the head extension.

Huck® 256 Tool:

- Place Anvil **1** over Collet **2** and into the tool. Slide the retainer nut over Anvil **1**, screw fully onto the tool and tighten by hand.

SERVICING INSTRUCTIONS

Nose assemblies should be serviced at weekly intervals. You should hold some stock of all internal components of the nose assembly as they will need regular replacement.

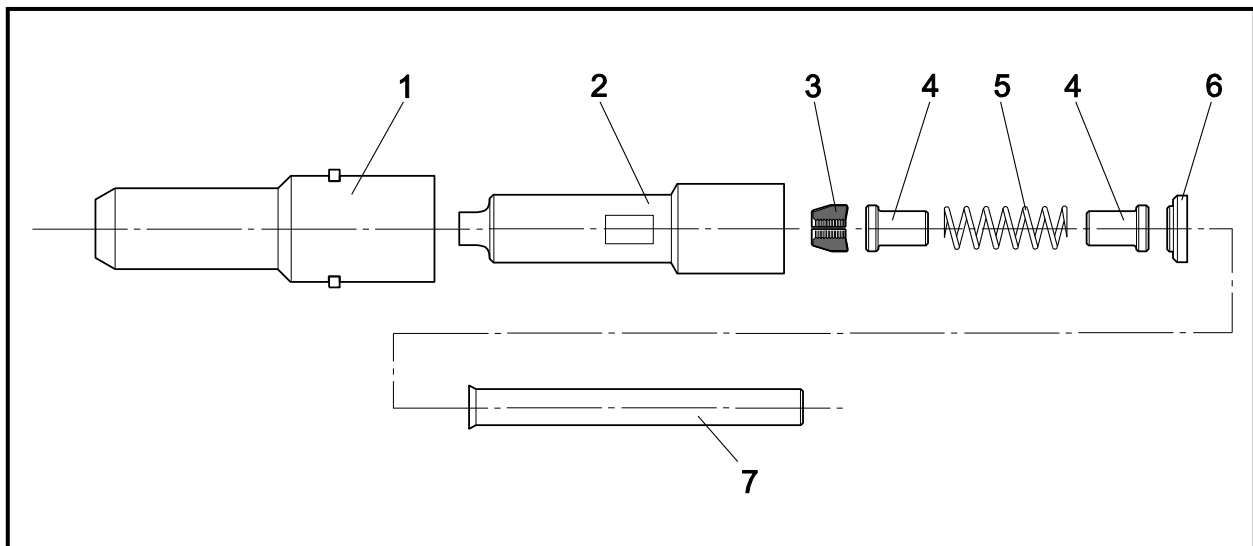
- Remove the nose assembly using the reverse procedure to the 'Fitting Instructions'.
- Any worn or damaged part should be replaced.
- Clean and check wear on Jaws **3**.
- Check that Spring **5** and Spring Guides **4** are not distorted.
- Clean and inspect components, renewing worn or damaged items.
- Assemble according to the 'Fitting Instructions'.

IMPORTANT

The air supply must be disconnected when fitting or removing nose assemblies.

NOSE ASSEMBLY for Avdel® 07287, 73200, AV™5 tools Part No. 07220-07500		
ITEM	DESCRIPTION	PART No
1	ANVIL	07220-07501
2	COLLET	07220-07503
3	JAWS	07220-07502
4	SPRING GUIDE	07220-02104
5	SPRING	07220-02103
6	SPACER	07220-07504
7	PINTAIL TUBE	07220-07505

NOSE ASSEMBLY for Huck® 256 tool Part No. 07220-07600		
ITEM	DESCRIPTION	PART No
1	ANVIL	07220-07501
2	COLLET	07220-07503
3	JAWS	07220-07502
4	SPRING GUIDE	07220-02104
5	SPRING	07220-02103
6	SPACER-HUCK®	07220-07601
7	PINTAIL TUBE	07220-07505

**FITTING INSTRUCTIONS**

Item numbers in **bold** refer to nose assembly components in the tables and illustration above.

- Lightly coat Jaws **3** with Moly Lithium grease.
- Assemble Spring Guide **4** and Spring **5** and stand on end on a flat even surface.
- Balance the three Jaws **3** on the upper Spring Guide **4**.
- Carefully lower Collet **2** over the assembled components.
- Holding the assembled collet pointing downwards insert Spacer **6** behind the rear Spring Guide **4**.
- Insert Pintail Tube **7** into the tool head piston bore.
- Holding the tool pointing down, screw the assembled collet fully onto the tool head piston and tighten with a suitable spanner.

1/4" AVBOLT® NOSE ASSEMBLIES - 07220-07500 AND 07220-07600

FITTING INSTRUCTIONS

07287, 73200, AV™5 Tools:

- Place Anvil **1** over Collet **2** and onto the tool, ensuring that the lugs on the body enter the slots in the head extension of the tool.
- Turn the reducing adaptor body through 90° then turn the head extension ring until it springs into its position in the slots of the head extension.

Huck® 256 Tool:

- Place Anvil **1** over Collet **2** and into the tool. Slide the retainer nut over Anvil **1**, screw fully onto the tool and tighten by hand.

SERVICING INSTRUCTIONS

Nose assemblies should be serviced at weekly intervals. You should hold some stock of all internal components of the nose assembly as they will need regular replacement.

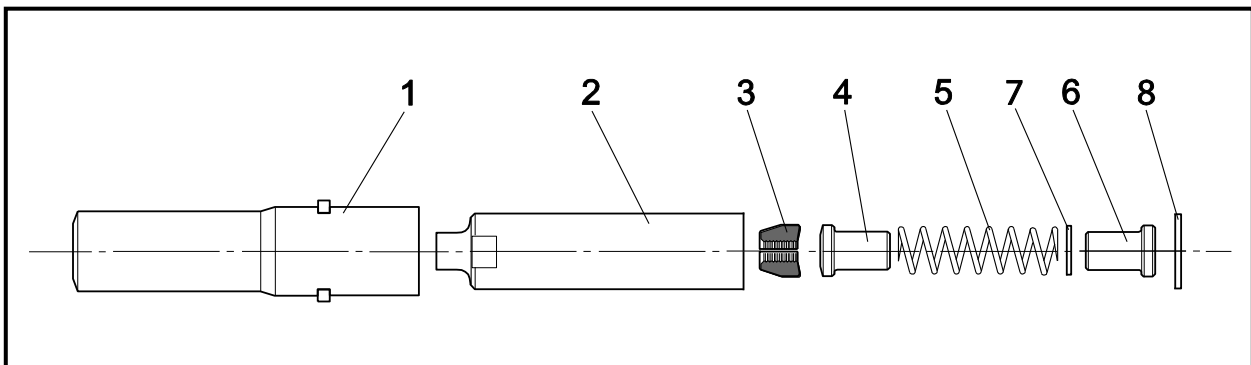
- Remove the nose assembly using the reverse procedure to the 'Fitting Instructions'.
- Any worn or damaged part should be replaced.
- Clean and check wear on Jaws **3**.
- Check that Spring **5** and Spring Guides **4** are not distorted.
- Clean and inspect components, renewing worn or damaged items.
- Assemble according to the 'Fitting Instructions'.

IMPORTANT

The air supply must be disconnected when fitting or removing nose assemblies.

NOSE ASSEMBLY for Avdel® 07287, AV™5 tools Part No. 07220-07700		
ITEM	DESCRIPTION	PART No
1	ANVIL	07220-07701
2	COLLET	07220-07702
3	JAWS	73411-03303
4	FOLLOWER	07220-07703
5	SPRING	07220-06305
6	SPRING GUIDE	07220-07704

NOSE ASSEMBLY for Huck® 256 tool Part No. 07220-07800		
ITEM	DESCRIPTION	PART No
1	ANVIL	07220-07701
2	COLLET	07220-07702
3	JAWS	73411-03303
4	FOLLOWER	07220-07703
5	SPRING	07220-06305
6	SPRING GUIDE	07220-07704
7	SHIM	07220-07801
8	SHIM	07220-07802

**FITTING INSTRUCTIONS**

Item numbers in **bold** refer to nose assembly components in the tables and illustration above.

Avdel® 07287 & AV™5 Tools:

- Lightly coat Jaws **3** with Moly Lithium grease.
- Assemble Spring Guide **6**, Spring **5** and Follower **4** and stand on end on a flat even surface.
- Balance the three Jaws **3** on Follower **4**.
- Carefully lower Collet **2** over the assembled components.
- Holding the tool pointing down, screw the assembled collet fully onto the tool head piston and tighten with a suitable spanner.
- Place Anvil **1** over Collet **2** and onto the tool, ensuring that the lugs on the body enter the slots in the head extension of the tool.
- Turn the reducing adaptor body through 90° then turn the head extension ring until it springs into its position in the slots of the head extension.

5/16" AVBOLT® NOSE ASSEMBLIES - 07220-07700 AND 07220-07800

FITTING INSTRUCTIONS

Huck® 256 Tool:

- Lightly coat Jaws **3** with Moly Lithium grease.
- Assemble Spring Guide **6**, Shim **7**, Spring **5** and Follower **4** and stand on end on a flat even surface.
- Balance the three Jaws **3** on Follower **4**.
- Carefully lower Collet **2** over the assembled components.
- Holding the assembled collet pointing downwards, insert the Shim **8** behind the Spring Guide **6**.
- Holding the tool pointing down, screw the assembled collet fully onto the tool head piston and tighten with a suitable spanner.
- Place Anvil **1** over Collet **2** and into the tool. Slide the retainer nut over Anvil **1**, screw fully onto the tool and tighten by hand.

SERVICING INSTRUCTIONS

Nose assemblies should be serviced at weekly intervals. You should hold some stock of all internal components of the nose assembly as they will need regular replacement.

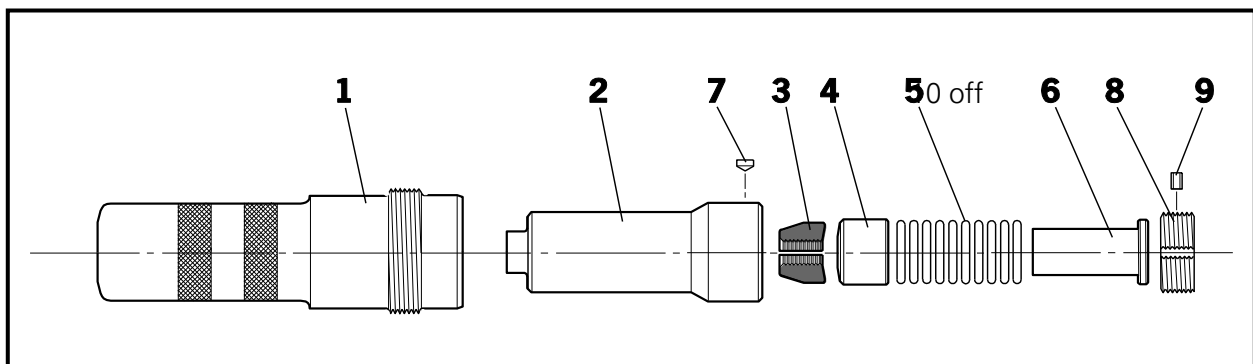
- Remove the nose assembly using the reverse procedure to the 'Fitting Instructions'.
- Any worn or damaged part should be replaced.
- Clean and check wear on Jaws **3**.
- Check that Spring **5**, Follower **4** and Spring Guide **6** are not distorted.
- Clean and inspect components, renewing worn or damaged items.
- Assemble according to the 'Fitting Instructions'.

IMPORTANT
Be sure the tool power supply is turned off before fitting or removing the nose assembly.

NOSE ASSEMBLY for Avlock T10 tool Part No. 73411-03300		
ITEM	DESCRIPTION	PART No
1	ANVIL	73411-03301
2	COLLET	73411-03302
3	JAWS	73411-03303
4	FOLLOWER	73411-03304
5	'O'-RINGS	07003-00426
6	SLEEVE	73411-03305
7	COLLET LOCK	73411-05004
8	COLLET ADAPTER	73411-03206
9	PLUG	73411-03207

NOSE ASSEMBLY for Huck® 2600 tool Part No. 73411-03400		
ITEM	DESCRIPTION	PART No
1	ANVIL	73411-03401
2	COLLET	73411-03402
3	JAWS	73411-03303
4	FOLLOWER	73411-03304
5	'O'-RINGS	07003-00426
6	SLEEVE	73411-03305
7	COLLET LOCK	73411-05004

NOSE ASSEMBLY for Avdel® AV™10 tool Part No. 73430-03300		
ITEM	DESCRIPTION	PART No
1	ANVIL	73430-03301
2	COLLET	73430-03302
3	JAWS	73411-03303
4	FOLLOWER	73411-03304
5	'O'-RINGS	07003-00426
6	SLEEVE	73411-03305
7	COLLET LOCK	73430-05004



FITTING INSTRUCTIONS

Item numbers in **bold** refer to nose assembly components in the tables and illustration above.

- Lightly coat Jaws **3** with Moly Lithium grease.
- On a flat work surface, assemble the Sleeve **6**, 'O' Rings **5**, Follower **4** and Jaws **3** by stacking vertically in that order.
- Place the Collet **2** over the assembled stack, slide to the end of the work surface and with a finger push the stack fully inside the Collet **2**.

Avlock T10 Tool:

- Screw Collet Adapter **8** onto the piston rod until it is flush with the end of the piston.
- Insert the Plug **9** into the Collet Adapter **8**. Rotate the Collet Adapter **8** on the piston rod in either direction until the Plug **9** slots into the groove on the piston rod. The Plug **9** must sit below the exterior surface of the Collet Adapter **8**.
- Holding the tool pointing down, screw the assembled collet fully onto the piston rod until it is flush with the end of the collet adaptor.

FITTING INSTRUCTIONS

- Insert Collet Lock **7** into Collet **2**. Rotate Collet **2** on the piston rod in either direction until Collet Lock **7** slots into the nearest groove in the collet adaptor. The Collet Lock **7** should be flush with the exterior of Collet **2**.
- Slide Anvil **1** over the Collet **2** and screw into the anvil adaptor until it is firm.
- There is a locking 'O' Ring which will create a resistance to the final few turns of the Anvil **1**. It is imperative that the Anvil **1** be hand tightened up against the rear locking face.

Huck® 2600 Tool:

Holding the tool pointing down, screw the assembled collet onto the piston rod until it bottoms out.

- Insert Collet Lock **7** into Collet **2**. Rotate Collet **2** on the piston rod in either direction until Collet Lock **7** slots into the nearest groove on the piston rod. The Collet Lock **7** should be flush with the exterior of Collet **2**.
- Place Anvil **1** over Collet **2** and into the tool. Slide the retainer nut over the Anvil **1**, screw fully onto the tool and tighten by hand.

Avdel AV™10 Tool:

- The Collet **2** will be supplied pre-assembled with a ball type Collet Lock **7** and not with the loose brass pin type as illustrated above.
- Holding the tool pointing down, screw the assembled Collet **2** onto the piston rod until the Collet Lock **7** lines up with one of the four counter bores on the piston thread. Rotate Collet **2** on the piston rod in either direction until Collet Lock **7** slots into the nearest counter bore.
- The Collet Lock **7** should be flush with the exterior of Collet **2**.
- Slide Anvil **1** over Collet **2** and screw into the body of the placing tool until it is firm.
- There is a locking 'O' Ring which will create a resistance to the final few turns of the Anvil **1**. It is imperative that the Anvil **1** be hand tightened up against the rear locking face.

SERVICING INSTRUCTIONS

Nose assemblies should be serviced at weekly intervals. You should hold some stock of all internal components of the nose assembly as they will need regular replacement.

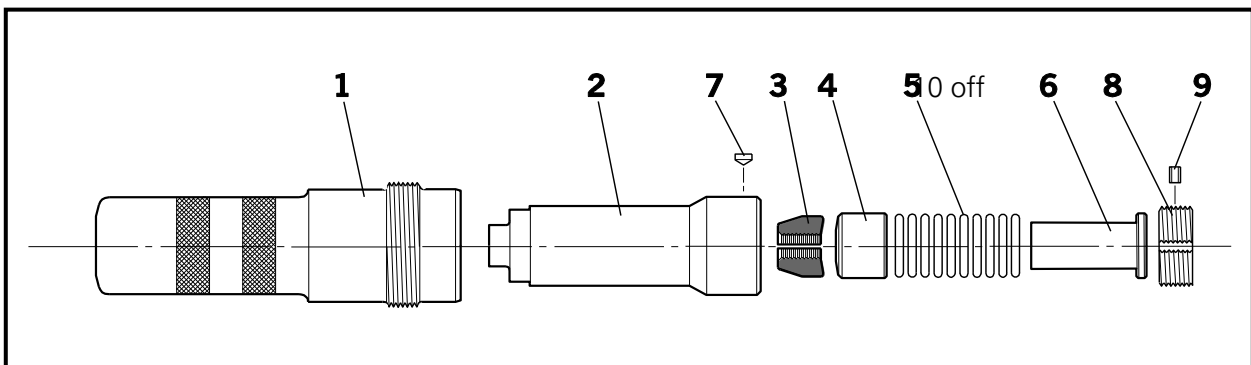
- Remove the nose assembly using the reverse procedure to the 'Fitting Instructions'.
- Any worn or damaged part should be replaced.
- Clean and check wear on Jaws **3**.
- Check that Spring **5** and Spring Guides **4** are not distorted.
- Clean and inspect components, renewing worn or damaged items.
- Assemble according to the 'Fitting Instructions'.

IMPORTANT
Be sure the tool power supply is turned off before fitting or removing the nose assembly.

NOSE ASSEMBLY for Avlock T10 tool Part No. 73411-03200		
ITEM	DESCRIPTION	PART No
1	ANVIL	73411-03201
2	COLLET	73411-03202
3	JAWS	73411-03203
4	FOLLOWER	73411-03204
5	'O'-RINGS	07003-00426
6	SLEEVE	73411-03205
7	COLLET LOCK	73411-05004
8	COLLET ADAPTER	73411-03206
9	PLUG	73411-03207

NOSE ASSEMBLY for Huck® 2600 tool Part No. 73411-03500		
ITEM	DESCRIPTION	PART No
1	ANVIL	73411-03501
2	COLLET	73411-03502
3	JAWS	73411-03203
4	FOLLOWER	73411-03204
5	'O'-RINGS	07003-00426
6	SLEEVE	73411-03205
7	COLLET LOCK	73411-05004

NOSE ASSEMBLY for Avdel® AV™10 tool Part No. 73430-03200		
ITEM	DESCRIPTION	PART No
1	ANVIL	73430-03201
2	COLLET	73430-03202
3	JAWS	73411-03203
4	FOLLOWER	73411-03204
5	'O'-RINGS	07003-00426
6	SLEEVE	73411-03205
7	COLLET LOCK	73430-05004



FITTING INSTRUCTIONS

Item numbers in **bold** refer to nose assembly components in the tables and illustration above.

- Lightly coat Jaws **3** with Moly Lithium grease.
- On a flat work surface, assemble the Sleeve **6**, 'O' Rings **5**, Follower **4** and Jaws **3** by stacking vertically in that order.
- Place the Collet **2** over the assembled stack, slide to the end of the work surface and with a finger push the stack fully inside the Collet **2**.

Avlock T10 Tool:

- Screw Collet Adapter **8** onto the piston rod until it is flush with the end of the piston.
- Insert the Plug **9** into the Collet Adapter **8**. Rotate the Collet Adapter **8** on the piston rod in either direction until the Plug **9** slots into the groove on the piston rod. The Plug **9** must sit below the exterior surface of the Collet Adapter **8**.

FITTING INSTRUCTIONS

- Holding the tool pointing down, screw the assembled collet fully onto the piston rod until it is flush with the end of the collet adaptor.
- Insert Collet Lock **7** into Collet **2**. Rotate Collet **2** on the piston rod in either direction until Collet Lock **7** slots into the nearest groove in the collet adaptor. The Collet Lock **7** should be flush with the exterior of Collet **2**.
- Slide Anvil **1** over the Collet **2** and screw into the anvil adaptor until it is firm.
- There is a locking 'O' Ring which will create a resistance to the final few turns of the Anvil **1**. It is imperative that the Anvil **1** be hand tightened up against the rear locking face.

Huck® 2600 Tool:

- Holding the tool pointing down, screw the assembled collet onto the piston rod until it bottoms out.
- Insert Collet Lock **7** into Collet **2**. Rotate Collet **2** on the piston rod in either direction until Collet Lock **7** slots into the nearest groove on the piston rod. The Collet Lock **7** should be flush with the exterior of Collet **2**.
- Place Anvil **1** over Collet **2** and into the tool. Slide the retainer nut over the Anvil **1**, screw fully onto the tool and tighten by hand.

Avdel AV™10 Tool:

- The Collet **2** will be supplied pre-assembled with a ball type Collet Lock **7** and not with the loose brass pin type as illustrated above.
- Holding the tool pointing down, screw the assembled Collet **2** onto the piston rod until the Collet Lock **7** lines up with one of the four counter bores on the piston thread. Rotate Collet **2** on the piston rod in either direction until Collet Lock **7** slots into the nearest counter bore.
- The Collet Lock **7** should be flush with the exterior of Collet **2**.
- Slide Anvil **1** over Collet **2** and screw into the body of the placing tool until it is firm.
- There is a locking 'O' Ring which will create a resistance to the final few turns of the Anvil **1**. It is imperative that the Anvil **1** be hand tightened up against the rear locking face.

SERVICING INSTRUCTIONS

Nose assemblies should be serviced at weekly intervals. You should hold some stock of all internal components of the nose assembly as they will need regular replacement.

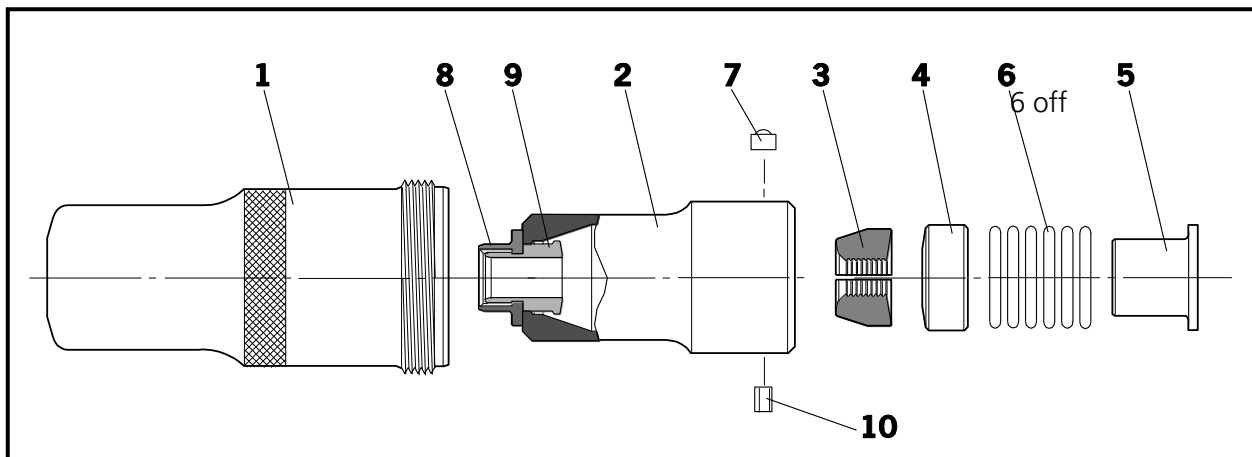
- Remove the nose assembly using the reverse procedure to the 'Fitting Instructions'.
- Any worn or damaged part should be replaced.
- Clean and check wear on Jaws **3**.
- Check that Follower **4**, Sleeve **6** and 'O' Rings **5** are not distorted.
- Assemble according to the 'Fitting Instructions'.

*1/2" AVBOLT® NOSE ASSEMBLIES - 73412-03600 AND 73433-03100***IMPORTANT**

Be sure the tool power supply is turned off before fitting or removing the nose assembly.

NOSE ASSEMBLY for Avdel® AV™30 tool Part No. 73412-03600		
ITEM	DESCRIPTION	PART No
1	ANVIL	73412-03601
2	COLLET	73412-03602
3	JAW SET	73412-03603
4	FOLLOWER	73412-03604
5	SLEEVE	73412-03605
6	'O'-RINGS	73412-03607
7	COLLET LOCK	73412-03407
8	COLLAR EJECTOR	73412-03608
9	JAW RELEASE	73412-03606
10	SET SCREW	07001-00685

NOSE ASSEMBLY For Avdel® AV™15 tool Part No. 73433-03100		
ITEM	DESCRIPTION	PART No
1	ANVIL	73432-03101
2	COLLET	73433-03102
3	JAW SET	73412-03603
4	FOLLOWER	73412-03604
5	SLEEVE	73432-03104
6	'O'-RINGS	73412-03607
7	COLLET LOCK	73430-05004
8	COLLAR EJECTOR	73412-03608
9	JAW RELEASE	73412-03606

*FITTING INSTRUCTIONS*

Item numbers in **bold** refer to nose assembly components in the table and illustration above.

- Lightly coat Jaw Set **3** with Moly Lithium grease.
- On a flat work surface, assemble Sleeve **5**, 'O' Rings **6**, Follower **4** and Jaw Set **3** by stacking vertically in that order.
- The Collet **2** will be supplied pre-assembled with Collar Ejector **8** and Jaw Release **9** as shown.
- Place Collet **2** over the assembled stack, slide to the end of the work surface and with a finger push the stack fully inside Collet **2**.
- Holding the tool pointing down, screw the assembled collet onto the piston rod until it is flush with the end of the Collet Adaptor.

1/2" AVBOLT® NOSE ASSEMBLIES - 73412-03600 AND 73433-03100

FITTING INSTRUCTIONS

- Rotate Collet **2** on the piston rod in either direction until Collet Lock **7** slots into the nearest groove on the Collet Adapter. The Collet Lock **7** should be flush with the exterior of Collet **2**. Lock in position by tightening Socket Set Screw **10**.
- Slide Anvil **1** over Collet **2** and screw into the body of the tool until it is firm.
- There is a locking 'O' Ring which will create a resistance to the final few turns of the Anvil **1**. It is imperative that the Anvil **1** be hand tightened up against the rear locking face.
- Correct installation of the nose assembly can be gauged by the free movement of the correct size pintail through the assembled jaws in the nose.

SERVICING INSTRUCTIONS

Nose assemblies should be serviced at weekly intervals. You should hold some stock of all internal components of the nose assembly as they will need regular replacement.

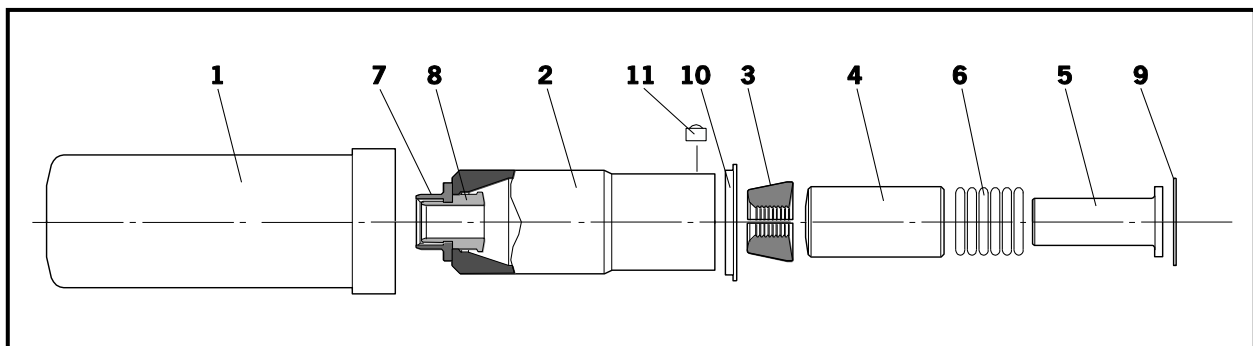
- Remove the nose assembly using the reverse procedure to the 'Fitting Instructions'.
- Any worn or damaged part should be replaced.
- Clean and check wear on Jaw Set **3**.
- Check that Collar Ejector **8**, Collet **2**, Sleeve **5** and 'O' Rings **6** are not distorted.
- To remove a damaged or worn Collar Ejector **8**, slide the Collar Ejector **8** out of Collet **2** as far as possible. Cut through Jaw Release **9** between the flange of Collar Ejector **8** and the front face of Collet **2**. Invert Collet **2** and push out the remains of Jaw release **9**.
- When assembling a new Collar Ejector **8** and Jaw Release **9** in Collet **2**, first ensure that the threads are clean, before applying Loctite® 243 and screwing the two parts together within Collet **2**.
- Assemble according to the 'Fitting Instructions'.

1/2" AVBOLT® NOSE ASSEMBLY - 73412-03700 AND 73412-04600**IMPORTANT**

Be sure the tool power supply is turned off before fitting or removing the nose assembly.

NOSE ASSEMBLY for Huck® 2620 tool Part No. 73412-03700		
ITEM	DESCRIPTION	PART No
1	ANVIL - HUCK®	73412-03701
2	COLLET - HUCK®	73412-03702
3	JAW SET	73412-03603
4	FOLLOWER	73412-03703
5	SLEEVE	73412-03704
6	'O'-RINGS	73412-03706
7	COLLAR EJECTOR	07003-03608
8	JAW RELEASE	73412-03606
9	CIRCLIP	07004-00110
10	RETAINER	73412-03705
11	COLLET LOCK	73430-05004

NOSE ASSEMBLY for Huck® 2620 tool Part No. 73412-04600		
ITEM	DESCRIPTION	PART No
1	ANVIL - HUCK®	73412-04601
2	COLLET - HUCK®	73412-03702
3	JAW SET	73412-03603
4	FOLLOWER	73412-03703
5	SLEEVE	73412-03704
6	'O'-RINGS	73412-03706
7	COLLAR EJECTOR	07003-03608
8	JAW RELEASE	73412-03606
9	CIRCLIP	07004-00110
10	RETAINER	73412-03705
11	COLLET LOCK	73430-05004

FITTING INSTRUCTIONS

Item numbers in **bold** refer to nose assembly components in the table and illustration above.

- Lightly coat Jaw Set **3** with Moly Lithium grease.
- On a flat work surface, assemble Sleeve **5**, 'O' Rings **6**, Follower **4** and Jaw Set **3** by stacking vertically in that order.
- The Collet **2** will be supplied pre-assembled with Collar Ejector **7** and Jaw Release **8** positioned as shown.
- Place Collet **2** over the assembled stack, slide to the end of the work surface and with a finger push the stack fully inside Collet **2**. Retain in position with Circlip **9**.
- Assemble Retainer **10** over Collet **2** and screw fully onto piston. Rotate Collet **2** until Collet Lock **11** locates in the groove on the piston rod.
- Slide Anvil **1** over Collet **2**, place split rings over Anvil **1** and secure with retainer. (Note: The split rings and retainer are part of the Huck® 2620 base tool).

SERVICING INSTRUCTIONS

Nose assemblies should be serviced at weekly intervals. You should hold some stock of all internal components of the nose assembly as they will need regular replacement.

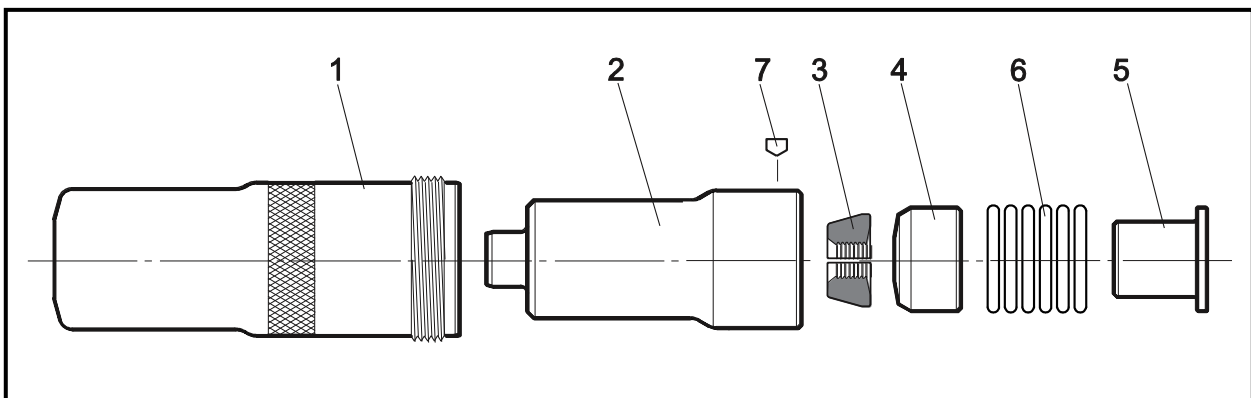
- Remove the nose assembly using the reverse procedure to the 'Fitting Instructions'.
- Any worn or damaged part should be replaced.
- Clean and check wear on Jaw Set **3**.
- Check that Collar Ejector **11**, Collet **2**, Sleeve **5** and 'O' Rings **6** are not distorted.
- To remove a damaged or worn Collar Ejector **11**, slide the Collar Ejector **11** out of Collet **2** as far as possible. Cut through Jaw Release **12** between the flange of Collar Ejector **11** and the front face of Collet **2**. Invert Collet **2** and push out the remains of Jaw release **12**.
- When assembling a new Collar Ejector **11** and Jaw Release **12** in Collet **2**, first ensure that the threads are clean, before applying Loctite® 243 and screwing the two parts together within Collet **2**.
- Assemble according to the 'Fitting Instructions'.

IMPORTANT

Be sure the tool power supply is turned off before fitting or removing the nose assembly.

**NOSE ASSEMBLY
for Avdel® AV™15 tool
Part No. 73432-03100**

ITEM	DESCRIPTION	PART No
1	ANVIL	73432-03101
2	COLLET	73432-03102
3	JAW SET	73432-03103
4	FOLLOWER	73412-03604
5	SLEEVE	73432-03104
6	'O'-RINGS	73412-03607
7	COLLET LOCK	73430-05004

**FITTING INSTRUCTIONS**

Item numbers in **bold** refer to nose assembly components in the tables and diagram above.

- Lightly coat Jaws **3** with Moly Lithium grease.
- On a flat work surface, assemble the Sleeve **5**, 'O' rings **6**, Follower **4** and Jaws **3** by stacking vertically in that order.
- Place the Collet **2** over the assembly stack, slide to the end of the work surface and with a finger push the stack fully inside the Collet.
- The Collet **2** will be supplied pre-assembled with a ball type Collet Lock **7**.
- Holding tool pointing down, screw the assembled Collet **2** onto the piston rod until it is flush with the rear face of the collet adaptor.
- Rotate the Collet **2** on the collet adaptor in either direction until the Collet Lock **7** ball slots into the nearest indent on the collet adaptor. The Collet Lock should be flush with the exterior of the Collet.
- Slide the Anvil **1** over the Collet **2** and screw into the body of the tool until it is firm.
- There is a locking 'O' Ring which will create a resistance to the final few turns of the Anvil **1**. It is imperative that the Anvil **1** be hand tightened up against the rear locking face.

SERVICING INSTRUCTIONS

Nose assemblies should be serviced at weekly intervals. You should hold some stock of all internal components of the nose assembly as they will need regular replacement.

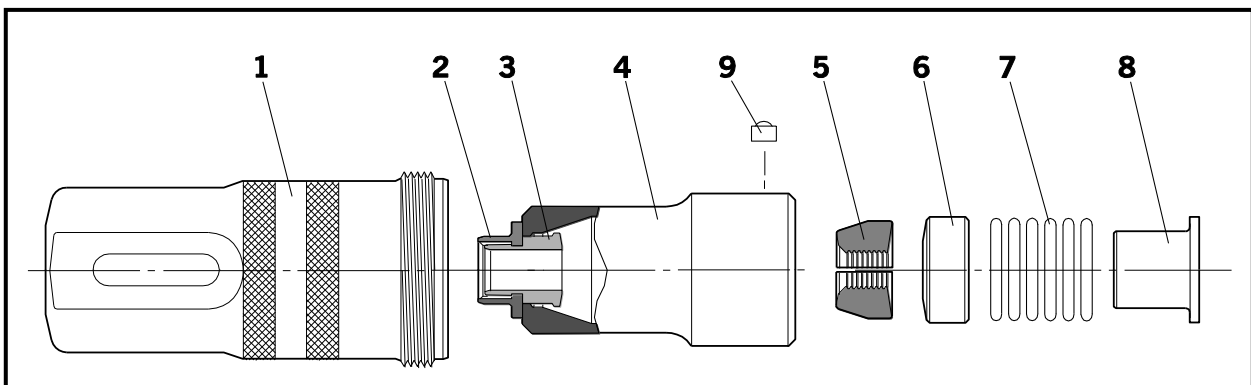
- Remove the nose assembly using the reverse procedure to the 'Fitting Instructions'.
- Any worn or damaged part should be replaced.
- Clean and check wear on Jaws **3**.
- Check that the Follower **4**, Sleeve **5** and 'O' rings **6** are not distorted.
- Assemble according to fitting instructions.

*5/8" AVBOLT® NOSE ASSEMBLY - 73412-03400***IMPORTANT**

Be sure the tool power supply is turned off before fitting or removing the nose assembly.

**NOSE ASSEMBLY
for Avdel® AV™30 tool
Part No. 73412-03400**

ITEM	DESCRIPTION	PART No
1	ANVIL	73412-03401
2	COLLAR EJECTOR	73412-03408
3	JAW RELEASE	73412-03406
4	COLLET	73412-03402
5	JAWS	73412-03403
6	FOLLOWER	73412-03404
7	'O' RINGS	07003-00427
8	SLEEVE	73412-03405
9	COLLET LOCK	73412-03407

*FITTING INSTRUCTIONS*

Item numbers in **bold** refer to nose assembly components in the table and illustration above.

- Lightly coat Jaws **5** with Moly Lithium grease.
- On a flat work surface, assemble Sleeve **8**, 'O' Rings **7**, Follower **6** and Jaws **5** by stacking vertically in that order.
- The Collet **4** will be supplied pre-assembled with Collar Ejector **2** and Jaw Release **3** as shown.
- Place Collet **4** over the assembled stack, slide to the end of the work surface and with a finger push the stack fully inside Collet **4**.
- Holding the tool pointing down, screw the assembled collet onto the piston rod until it is flush with the end of the collet adaptor.
- Rotate Collet **4** on the piston rod in either direction until Collet Lock **9** slots into the nearest groove on the collet adaptor. The Collet Lock **9** should be flush with the exterior of Collet **4**.
- Slide Anvil **1** over Collet **4** and screw into the tool body until it is firm.

5/8" AVBOLT® NOSE ASSEMBLY - 73412-03400

FITTING INSTRUCTIONS

- There is a locking 'O' Ring which will create a resistance to the final few turns of the Anvil **1**. It is imperative that the Anvil **1** be hand tightened up against the rear locking face.
- Correct installation of the nose assembly can be gauged by the free movement of the correct size pintail through the assembled jaws in the nose.

SERVICING INSTRUCTIONS

Nose assemblies should be serviced at weekly intervals. You should hold some stock of all internal components of the nose assembly as they will need regular replacement.

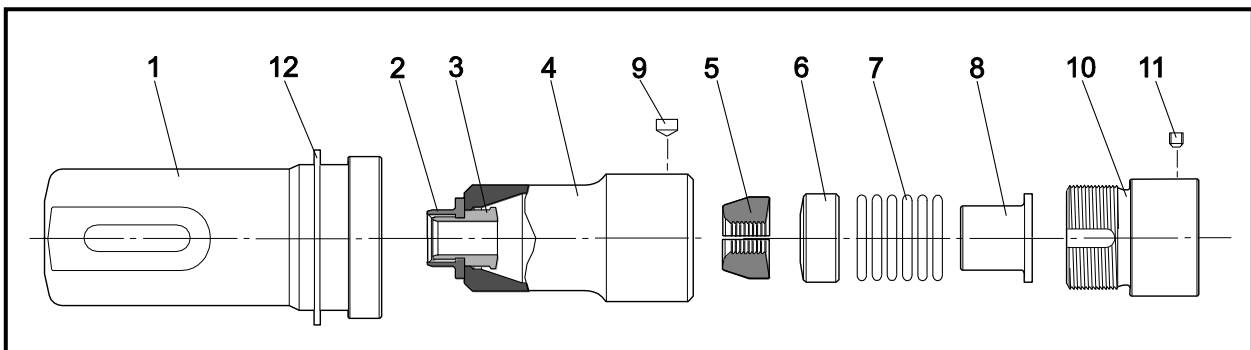
- Remove the nose assembly using the reverse procedure to the 'Fitting Instructions'.
- Any worn or damaged part should be replaced.
- Clean and check wear on Jaws **5**.
- Check that Collar Ejector **2**, Follower **6**, Sleeve and 'O' Rings **7** are not distorted.
- To remove a damaged or worn Collar Ejector **2**, slide the Collar Ejector **2** out of Collet **4** as far as possible. Cut through Jaw Release **3** between the flange of Collar Ejector **2** and the front face of Collet **4**. Invert Collet **4** and push out the remains of Jaw release **3**.
- When assembling a new Collar Ejector **2** and Jaw Release **3** in Collet **4**, first ensure that the threads are clean, before applying Loctite® 243 and screwing the two parts together within Collet **4**.
- Assemble according to the 'Fitting Instructions'.

5/8" AVBOLT® NOSE ASSEMBLY - 73412-03500

IMPORTANT

Be sure the tool power supply is turned off before fitting or removing the nose assembly.

NOSE ASSEMBLY for Huck® 2628 tool Part No. 73412-03500		
ITEM	DESCRIPTION	PART No
1	ANVIL - HUCK®	73412-03501
2	COLLAR EJECTOR	73412-03408
3	JAW RELEASE	73412-03406
4	COLLET - HUCK®	73412-03502
5	JAWS	73412-03403
6	FOLLOWER	73412-03404
7	'O' RINGS	07003-00427
8	SLEEVE	73412-03405
9	COLLET LOCK	73412-03507
10	COLLET ADAPTER	73412-03508
11	LOCKING SCREW	07001-00481
12	CIRCLIP	07004-00107

**FITTING INSTRUCTIONS**

Item numbers in **bold** refer to nose assembly components in the table and illustration above.

- Lightly coat Jaws **5** with Moly Lithium grease.
- On a flat work surface, assemble Sleeve **8**, 'O' Rings **7**, Follower **6** and Jaws **5** by stacking vertically in that order.
- The Collet **4** will be supplied pre-assembled with Collar Ejector **2** and Jaw Release **3** positioned as shown.
- Place Collet **4** over the assembled stack, slide to the end of the work surface and with a finger push the stack fully inside Collet **4**.
- Screw Collet Adapter **10** fully into the collet assembly. The shoulder of Collet Adapter **10** should come into contact with the rear of Collet **4**.

5/8" AVBOLT® NOSE ASSEMBLY - 73412-03500

FITTING INSTRUCTIONS

- Insert Collet Lock **9** into Collet **4**. Unscrew Collet Adaptor **10** until Collet Lock **9** slots into the nearest groove. The Collet Lock **9** should be flush with the exterior of Collet **4**.
- Screw the assembled Collet Adaptor **10** onto the piston rod until the rear face of Collet Adaptor **10** extends approximately 5mm beyond the front face of the tool adapter.
- Apply Loctite® 243 to Locking Screw **11** and insert into Collet Adapter **10**. Rotate Collet **4** on the piston rod in either direction until Locking Screw **11** can slot into the nearest groove on the piston rod. The Locking Screw **11** should then be inserted so it is flush with the exterior of Collet Adapter **10**.
- Place the split rings over Anvil **1** and adapter of the tool. Push Anvil **1** over Collet **4** and into the tool to assist in seating the split rings.
- Slide the sleeve or retainer over the split rings and then install Circlip **12** on Anvil **1**.
- Correct installation of the nose assembly can be gauged by the free movement of the correct size pintail through the assembled jaws in the nose.

SERVICING INSTRUCTIONS

Nose assemblies should be serviced at weekly intervals. You should hold some stock of all internal components of the nose assembly as they will need regular replacement.

- Remove the nose assembly using the reverse procedure to the 'Fitting Instructions'.
- Any worn or damaged part should be replaced.
- Clean and check wear on Jaws **5**.
- Check that Collar Ejector **2**, Follower **6**, Sleeve **8** and 'O' Rings **7** are not distorted.
- To remove a damaged or worn Collar Ejector **2** cut at a point between the flange of the ejector and the end of Collet **4**. The Collar Ejector **2** and Jaw Release **3** can then be separated and removed from Collet **4**.
- When assembling a new Collar Ejector **2** and Jaw Release **3** in Collet **4**, first ensure that the threads are clean, before applying Loctite® 243 and screwing the two parts together within Collet **4**.
- Assemble according to the 'Fitting Instructions'.

STANLEY.
Engineered Fastening

STANLEY Engineered Fastening

STANLEY House, Works Road
Letchworth Garden City
Hertfordshire, United Kingdom
SG6 1JY
Tel: +44 1582 900 000
Fax: +44 1582 900 001



Holding your world together®

Find your closest STANLEY Engineered Fastening location on
www.stanleyengineeredfastening.com/contact
For an authorized distributor nearby please check
www.stanleyengineeredfastening.com/econtact/distributors

Manual Number	Issue	C/N
07900-00905	E2	19/336

STANLEY.
Engineered Fastening

Stanley Engineered Fastening — a division of Stanley Black & Decker — is the global leader in precision fastening and assembly solutions. Our industry-leading brands, Avdel®, Integra™, Nelson®, Optia™, POP®, STANLEY® Assembly Technologies, and Tucker®, elevate what our customers create. Backed by a team of passionate and responsive problem-solvers, we empower engineers who are changing the world.

STANLEY ENGINEERED FASTENING FAMILY OF BRANDS

AVDEL. INTEGRA. NELSON. OPTIA. POP. STANLEY Assembly Technologies. TUCKER.