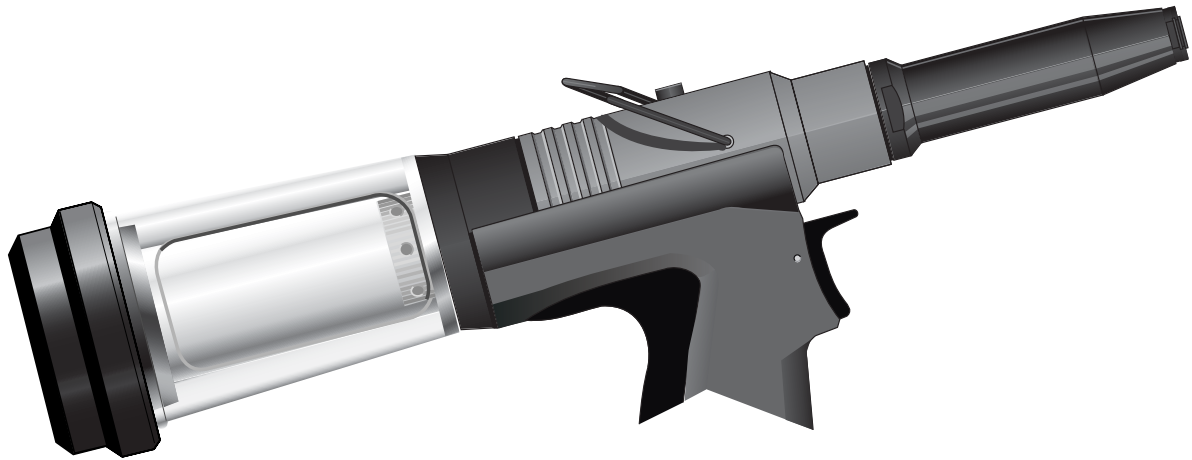


Supplement bij veiligheidsinstructies voor Genesis[®] nG Gereedschap – Optie vaste stiftopvangfles



Gebruiksdoel

De Genesis[®]nG moet ofwel worden uitgerust met de vaste stiftopvangfles, zoals hierin wordt beschreven, of met het verwijderbare stiftopvangbakje, zoals beschreven in de gereedschapshandleidingen van de Genesis[®]nG.

Veiligheidsinstructies

Raadpleeg de bijbehorende Genesis[®]nG gereedschapshandleiding voor de volledige veiligheidsinstructies.

Conformiteitscertificaat

Raadpleeg de Genesis[®]nG gebruikshandleiding.

Opties voor vast stiftopvangbakje

Voor de stiftopvangfles zijn de volgende opties beschikbaar:-

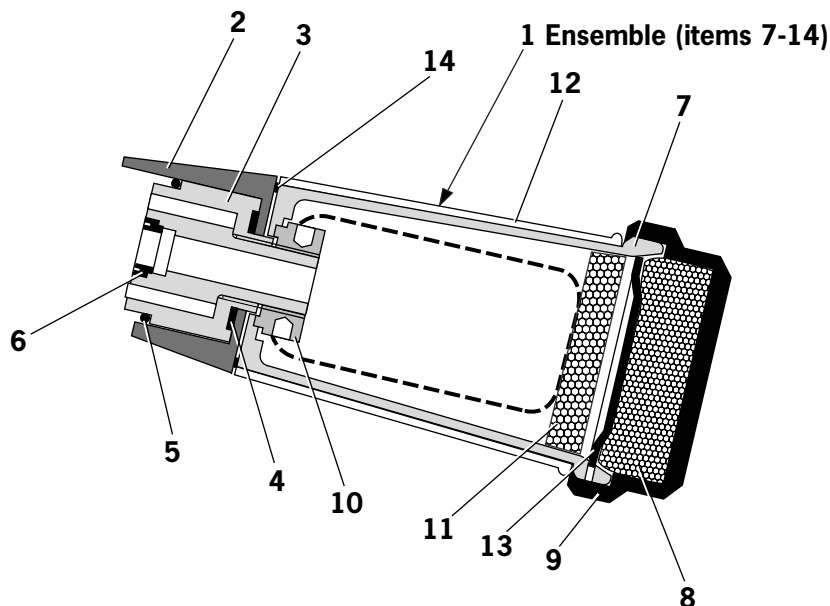
- 71204-02000 Genesis[®] nG1
- 71214-02000 Genesis[®] nG2
- 71224-02000 Genesis[®] nG3
- 71234-02000 Genesis[®] nG4
- 71404-01000 Genesis[®] nG2s
- 71204-00039 Volledig uitgeruste Genesis[®] nG1 – 2 neusstukken (71210-05002 & 71210-16070)
- 71214-00039 Volledig uitgeruste Genesis[®] nG2 – 3 neusstukken (71210-05002, 71210-16070 & 07381-04701)
- 71224-00201 Volledig uitgeruste Genesis[®] nG3 – 1/4 Monobolt-uitrusting
- 71234-00261 Volledig uitgeruste Genesis[®] nG4 – 1/4 Hemlok-uitrusting
- 71404-00039 Volledig uitgeruste Genesis[®] nG2s – 3 neusstukken (71210-05002, 71210-16070 & 07381-04701)

Raadpleeg de bijbehorende Genesis[®]nG gereedschapshandleiding voor details over de neusonderdelen.

Nummering van onderdelen

De volledige gereedschapsnummers (basisgereedschap + klinkkop + neusstuk) worden samengesteld door middel van het gepaste prefix van 5 nummers om het gereedschapstype te bepalen, bijv. 71204 voor nG1, 71214 voor nG2 enz. De 5 nummer van het suffix komen overeen met die in de tabellen van de handleiding voor neusstukken, Off/Set- en Right/Angle-koppen enz.

Algemene montage



Onderdelenlijst

Lijst met onderdelen van vaste stiftopvangfles							
DEEL	ONDERDEELNR.	BESCHRIJVING	HOEVEELHEID	DEEL	ONDERDEELNR.	BESCHRIJVING	HOEVEELHEID
1	71210-20400	FLESENSEMBLE (items 7-14)	1	7	71210-02051	STIFTOPVANGLICHAAM (ref)	1
2	71403-02110	FLESADAPTERENSEMBLE	1	8	71210-02035	DEMPER (ref)	1
3	71403-02120	EINDKAPENSEMBLE	1	9	71210-02034	DEMPERKAP (ref)	1
3*	71231-02001	EINDKAPENSEMBLE nG4	1	10	71210-02028	KLEMMOER (ref)	1
4	71210-02029	AFDICHTING	1	11	07640-00244	DEMPER (ref)	1
5	07003-00278	O-RING	1	12	07640-00239	BUITENZIJDE STIFTOPVANGER (ref)	1
6	07003-00274	LIPAFDICHTING	1	13	07340-00335	EINDKAP STIFTOPVANGER (ref)	1
6*	07003-00374	LIPAFDICHTING nG4	1	14	07003-00311	O-RING (ref)	1

*Onderdelen vervangen in nG4

Onderhouds-/demontage-instructies

DE LUCHTLEIDING MOET AFGEKOPPELD ZIJN VOOR ENIGE DEMONTAGE WORDT ONDERNOMEN.

1. Roteer de buitenzijde van de stiftopvanger **12** zodat de opening in het stiftopvanglichaam **7** volledig bloot komt te liggen.
2. Schroef de klemmoer **10** los.
3. Verwijder het flesensemble **1** en afdichting **4**.
4. Verwijder het flesadapterensemble **2**.
5. Draai het eindkapensemble **3** los en verwijder ze samen met de lipafdichting **6** en de O-ring **14**.
 - Monteer in omgekeerde volgorde.
 - Raadpleeg de bijbehorende nG Genesis gebruikshandleiding voor veiligheids- en onderhoudsinstructies.

Itemnummers in **vetjes** verwijzen naar de bovenstaande onderdelenlijst.



Since 1922

Avdel® iForm™

Since 1936

2010



Our Technology, Your Success

AUSTRALIË**Infastech (Australia) Pty Ltd.**

891 Wellington Road
Rowville
Victoria 3178
Tel: +61 3 9765 6400
Fax: +61 3 9765 6445
info@infastech.com.au

CANADA**Avdel Canada Limited**

1030 Lorimar Drive
Mississauga
Ontario L5S 1R8
Tel: +1 905 364 0664
Fax: +1 905 364 0678
infoAvdel-Canada@infastech.com

CHINA**Infastech (China) Ltd.**

RM 1708, 17/F., Nanyang Plaza,
57 Hung To Rd., Kwun Tong
Hong Kong
Tel: +852 2950 0631
Fax: +852 2950 0022
infochina@infastech.com

FRANKRIJK**Avdel France S.A.S.**

33 bis, rue des Ardennes
BP4
75921 Paris Cedex 19
Tel: +33 (0) 1 4040 8000
Fax: +33 (0) 1 4208 2450
AvdelFrance@infastech.com

DUITSLAND**Avdel Deutschland GmbH**

Klusriede 24
30851 Langenhagen
Tel: +49 (0) 511 7288 0
Fax: +49 (0) 511 7288 133
AvdelDeutschland@infastech.com

INDIA**Infastech Fastening Technologies****India Private Limited**

Plot No OZ-14, Hi Tech SEZ,
SIPCOT Industrial Growth Center,
Oragadam, Sriperumbudur Taluk,
Kanchipuram District,
602105 Tamilnadu
Tel: +91 44 4711 8001
Fax: +91 44 4711 8009
info-in@infastech.com

ITALIË**Avdel Italia S.r.l.**

Viale Lombardia 51/53
20047 Brugherio (MI)
Tel: +39 039 289911
Fax: +39 039 2873079
vendite@infastech.com

JAPAN**Infastech Kabushiki Kaisha**

Center Minami SKY,
3-1 Chigasaki-Chuo, Tsuzuki-ku,
Yokohama-city,
Kanagawa Prefecture
Japan 224-0032
Tel: +81 45 947 1200
Fax: +81 45 947 1205
info@infastech.co.jp

MALEISIË**Infastech (Malaysia) Sdn Bhd**

Lot 63, Persiaran Bunga Tanjung 1,
Senawang Industrial Park
70400 Seremban
Negeri Sembilan
Tel: +606 676 7168
Fax: +606 676 7101
info-my@infastech.com

SINGAPORE**Infastech (Singapore) Pte Ltd.**

31 Kaki Bukit Road 3
#05-03/06 Techlink
Singapore, 417818
Tel: +65 6372 5653
Fax: +65 6744 5643
info-sg@infastech.com

ZUID-KOREA**Infastech (Korea) Ltd.**

212-4, Suyang-Ri,
Silchon-Eup, Kwangju-City,
Kyunggi-Do, Korea, 464-874
Tel: +82 31 798 6340
Fax: +82 31 798 6342
info@infastech.co.kr

SPANJE**Avdel Spain S.A.**

C/ Puerto de la Morcuera, 14
Poligono Industrial Prado Overa
Ctra. de Toledo, km 7,8
28919 Leganés (Madrid)
Tel: +34 91 3416767
Fax: +34 91 3416740
ventas@infastech.com

TAIWAN**Infastech/Tri-Star Limited**

No 269-7, Baodong Rd,
Guanmiao Township,
71841 Tainan County,
Taiwan, R.O.C
Tel: +886 6 596 5798 (ext 201)
Fax: +886 6 596 5758
info-tw@infastech.com

VERENIGD KONINKRIJK**Avdel UK Limited**

Pacific House
2 Swiftfields
Watchmead Industrial Estate
Welwyn Garden City
Hertfordshire AL7 1LY
Tel: +44 (0) 1707 292000
Fax: +44 (0) 1707 292199
enquiries@infastech.com

USA**Avdel USA LLC**

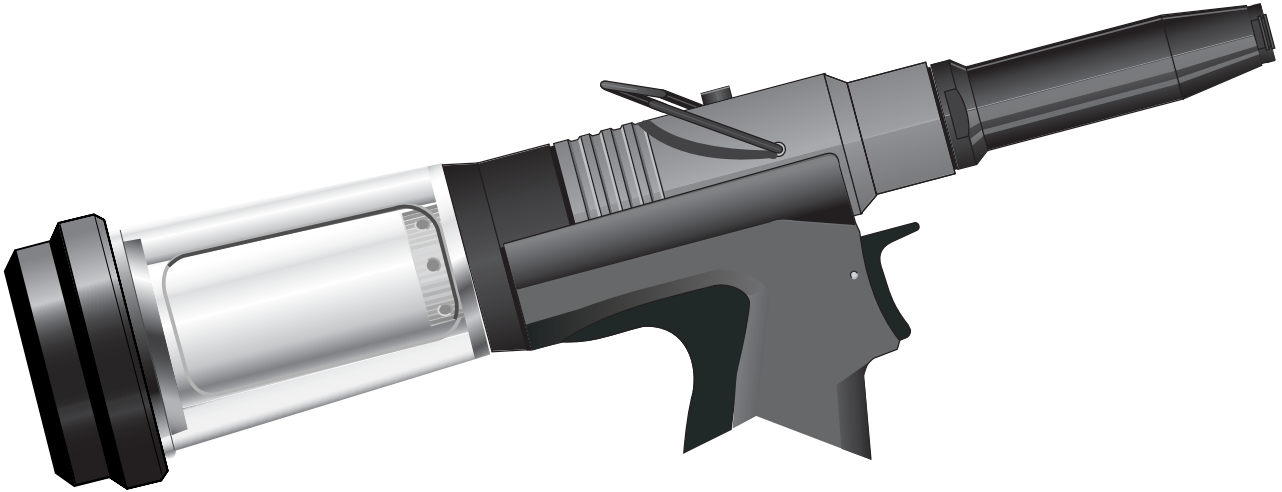
614 NC Highway 200 South
Stanfield, North Carolina 28163
Tel: +1 704 888 7100
Fax: +1 704 888 0258
infoAvdel-USA@infastech.com

Nummer gegevensblad	Uitgave	Nr. wijzigingsnota
07900-00883	A	07/280
	A2	11/018

www.avdel-global.com
www.infastech.com

Autosert® (equipment), Avbolt®, Avdel®, Avdelmate®, Avdel TX2000®, Avdelok®, Avex®, Avibulb®, Avinox®, Avinut™, Avlug®, Avmatic®, Avplas®, Avseal®, Avsert®, Avtainer®, Avtronic®, Briv®, Bulbex®, Chobert®, Eurosert®, Fastriv®, Finsert®, Genesis®, Grovit®, Hemlok®, Hexsert®, Holding your world together®, Hydra®, Interlock®, Klamp-Tite®, KlampTite KTR®, Kvex®, Maxlok®, Monobolt®, Monobulb®, Neobolt®, Nutsert®, Nutsert SQ®, Portariv®, Rivmatic®, Rivscrew®, Speed Fastening®, Squaresert®, Stavex®, Supersert®, Thin Sheet Nutsert®, Titan®, T-Lok®, TLR®, TSN®, TX2000®, Versa-Nut®, Viking® en Viking 360® zijn handelsmerken van Avdel UK Limited. Infastech™ en Our Technology, Your Success™ zijn handelsmerken van Infastech Intellectual Properties Pte Ltd. De namen en logo's van andere hierin genoemde bedrijven kunnen handelsmerken zijn van hun respectievelijke eigenaren. Dit document is alleen bestemd voor informatieve doeleinden. Infastech geeft geen garanties, expliciet of impliciet, in dit document. Genoemde gegevens kunnen worden gewijzigd zonder voorafgaande kennisgeving als gevolg van het beleid van continue productontwikkeling en verbetering. Uw lokale Avdel-vertegenwoordiger geeft u graag de meest recente informatie.

Instruction Manual Supplement for Genesis[®] nG Tool Range - Fixed Stem Collector Bottle Option



Intent of Use

The Genesis[®]nG tool must either be fitted with the Fixed Stem Collector Bottle as detailed herein, or the Removeable Stem Collector as described within the Genesis[®]nG tool manuals.

Safety Instructions

For the full Safety Instructions refer to the associated Genesis[®]nG tool manual.

Certificate of Conformity

Refer to the associated Genesis[®]nG Instruction Manual.

Fixed Stem Collector Options

The following Fixed Stem Collector Bottle tool options are available:-

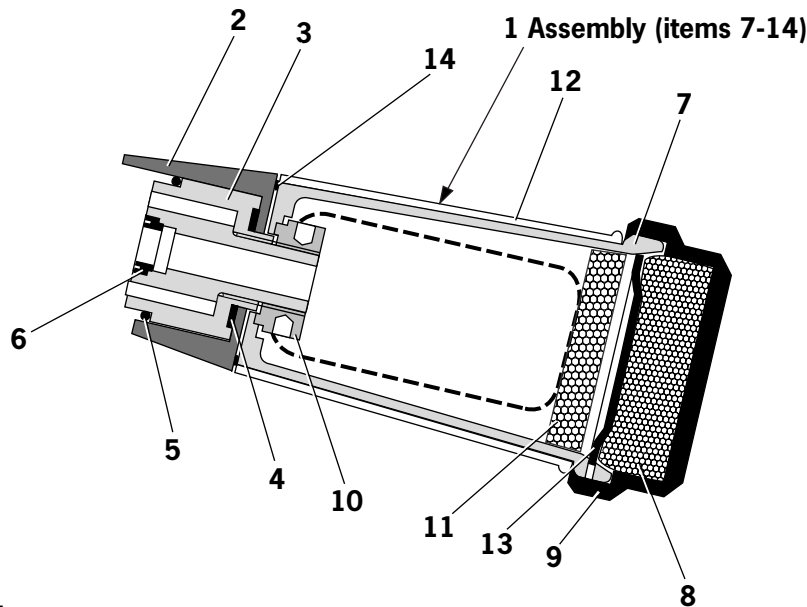
- 71204-02000 Genesis[®] nG1
- 71214-02000 Genesis[®] nG2
- 71224-02000 Genesis[®] nG3
- 71234-02000 Genesis[®] nG4
- 71404-01000 Genesis[®] nG2s
- 71204-00039 Fully equipped Genesis[®] nG1 tool - 2 Nose tips (71210-05002 & 71210-16070)
- 71214-00039 Fully equipped Genesis[®] nG2 tool - 3 Nose tips (71210-05002, 71210-16070 & 07381-04701)
- 71224-00201 Fully equipped Genesis[®] nG3 tool - 1/4 Monobolt equipment
- 71234-00261 Fully equipped Genesis[®] nG4 tool - 1/4 Hemlok equipment
- 71404-00039 Fully equipped Genesis[®] nG2s tool - 3 Nose tips (71210-05002, 71210-16070 & 07381-04701)

For Nose Equipment details refer to the associated Genesis[®]nG tool manual.

Part Numbering

Complete tool numbers (Base Tool + Nose Assembly + Nose Tip) are compiled utilising the appropriate 5 digit prefix number to designate the tool type e.g. 71204 for nG1, 71214 for nG2 etc. The 5 suffix numbers are as stated in the tool manual tables for Nose Tips, Off-Set and Right-Angle heads etc.

General Assembly



Parts List

Fixed Stem Collector Bottle Parts List							
ITEM	PART NUMBER	DESCRIPTION	QTY	ITEM	PART NUMBER	DESCRIPTION	QTY
1	71210-20400	BOTTLE ASSEMBLY (items 7-14)	1	7	71210-02051	STEM CATCHER BODY (ref)	1
2	71403-02110	BOTTLE ADAPTOR ASSEMBLY	1	8	71210-02035	SILENCER (ref)	1
3	71403-02120	END CAP ASSEMBLY	1	9	71210-02034	SILENCER CAP (ref)	1
3*	71231-02001	END CAP ASSEMBLY nG4	1	10	71210-02028	RETAINING NUT (ref)	1
4	71210-02029	SEAL	1	11	07640-00244	SILENCER (ref)	1
5	07003-00278	'O' RING	1	12	07640-00239	STEM CATCHER OUTER (ref)	1
6	07003-00274	LIP SEAL	1	13	07340-00335	STEM CATCHER END CAP (ref)	1
6*	07003-00374	LIP SEAL nG4	1	14	07003-00311	'O' RING (ref)	1

***Parts substituted in nG4 tool**

Maintenance/Dismantling Instructions

THE AIR LINE MUST BE DISCONNECTED BEFORE ANY DISMANTLING IS ATTEMPTED.

1. Rotate the Stem Collector Outer **12** so that the aperture in the Stem Catcher Body **7** is fully exposed.
2. Unscrew the Retaining Nut **10**.
3. Remove the Bottle Assembly **1** and Seal **4**.
4. Remove the Bottle Adaptor Assembly **2**.
5. Unscrew and remove the End Cap Assembly **3** together with Lip Seal **6** and 'O' Ring **14**.
 - Re-assemble in reverse order.
 - **For Safety and other Servicing and Maintenance instructions, refer to the relevant nG Genesis tool manual.**

Item numbers in **bold** refer to the parts list above.



Since 1922



Avdel[®] iForm[™]

Since 1936

2010



Our Technology, Your Success

AUSTRALIA

Infastech (Australia) Pty Ltd.

891 Wellington Road
Rowville
Victoria 3178
Tel: +61 3 9765 6400
Fax: +61 3 9765 6445
info@infastech.com.au

CANADA

Avdel Canada Limited

1030 Lorimar Drive
Mississauga
Ontario L5S 1R8
Tel: +1 905 364 0664
Fax: +1 905 364 0678
infoAvdel-Canada@infastech.com

CHINA

Infastech (China) Ltd.

RM 1708, 17/F., Nanyang Plaza,
57 Hung To Rd., Kwun Tong
Hong Kong
Tel: +852 2950 0631
Fax: +852 2950 0022
infochina@infastech.com

FRANCE

Avdel France S.A.S.

33 bis, rue des Ardennes
BP4
75921 Paris Cedex 19
Tel: +33 (0) 1 4040 8000
Fax: +33 (0) 1 4208 2450
AvdelFrance@infastech.com

GERMANY

Avdel Deutschland GmbH

Klusriede 24
30851 Langenhagen
Tel: +49 (0) 511 7288 0
Fax: +49 (0) 511 7288 133
AvdelDeutschland@infastech.com

INDIA

Infastech Fastening Technologies

India Private Limited

Plot No OZ-14, Hi Tech SEZ,
SIPCOT Industrial Growth Center,
Oragadam, Sriperumbudur Taluk,
Kanchipuram District,
602105 Tamilnadu
Tel: +91 44 4711 8001
Fax: +91 44 4711 8009
info-in@infastech.com

ITALY

Avdel Italia S.r.l.

Viale Lombardia 51/53
20047 Brugherio (MI)
Tel: +39 039 289911
Fax: +39 039 2873079
vendite@infastech.com

JAPAN

Infastech Kabushiki Kaisha

Center Minami SKY,
3-1 Chigasaki-Chuo, Tsuzuki-ku,
Yokohama-city,
Kanagawa Prefecture
Japan 224-0032
Tel: +81 45 947 1200
Fax: +81 45 947 1205
info@infastech.co.jp

MALAYSIA

Infastech (Malaysia) Sdn Bhd

Lot 63, Persiaran Bunga Tanjung 1,
Senawang Industrial Park
70400 Seremban
Negeri Sembilan
Tel: +606 676 7168
Fax: +606 676 7101
info-my@infastech.com

SINGAPORE

Infastech (Singapore) Pte Ltd.

31 Kaki Bukit Road 3
#05-03/06 Techlink
Singapore, 417818
Tel: +65 6372 5653
Fax: +65 6744 5643
info-sg@infastech.com

SOUTH KOREA

Infastech (Korea) Ltd.

212-4, Suyang-Ri,
Silchon-Eup, Kwangju-City,
Kyunggi-Do, Korea, 464-874
Tel: +82 31 798 6340
Fax: +82 31 798 6342
info@infastech.co.kr

SPAIN

Avdel Spain S.A.

C/ Puerto de la Morcuera, 14
Poligono Industrial Prado Overa
Ctra. de Toledo, km 7,8
28919 Leganés (Madrid)
Tel: +34 91 3416767
Fax: +34 91 3416740
ventas@infastech.com

TAIWAN

Infastech/Tri-Star Limited

No 269-7, Baodong Rd,
Guanmiao Township,
71841 Tainan County,
Taiwan, R.O.C
Tel: +886 6 596 5798 (ext 201)
Fax: +886 6 596 5758
info-tw@infastech.com

UNITED KINGDOM

Avdel UK Limited

Pacific House
2 Swiftfields
Watchmead Industrial Estate
Welwyn Garden City
Hertfordshire AL7 1LY
Tel: +44 (0) 1707 292000
Fax: +44 (0) 1707 292199
enquiries@infastech.com

USA

Avdel USA LLC

614 NC Highway 200 South
Stanfield, North Carolina 28163
Tel: +1 704 888 7100
Fax: +1 704 888 0258
infoAvdel-USA@infastech.com

Data Sheet No.	Issue	Change Note No.
07900-00883	A	07/280
	A2	11/018

www.avdel-global.com
www.infastech.com

Autosert[®] (equipment), Avbolt[®], Avdel[®], Avdelmate[®], Avdel TX2000[®], Avdelok[®], Avex[®], Avibulb[®], Avinox[®], Avinut[™], Avlug[®], Avmatic[®], Avplas[®], Avseal[®], Avsert[®], Avtainer[®], Avtronic[®], Briv[®], Bulbex[®], Chobert[®], Eurosert[®], Fastriv[®], Finsert[®], Genesis[®], Grovit[®], Hemlok[®], Hexsert[®], Holding your world together[®], Hydra[®], Interlock[®], Klamp-Tite[®], KlampTite KTR[®], Kvex[®], Maxlok[®], Monobolt[®], Monobulb[®], Neobolt[®], Nutsert[®], Nutsert SQ[®], Portariv[®], Rivmatic[®], Rivscrew[®], Speed Fastening[®], Squaresert[®], Stavex[®], Supersert[®], Thin Sheet Nutsert[®], Titan[®], T-Lok[®], TLR[®], TSN[®], TX2000[®], Versa-Nut[®], Viking[®] and Viking 360[®] are trademarks of Avdel UK Limited. Infastech[™] and Our Technology, Your Success[™] are trademarks of Infastech Intellectual Properties Pte Ltd. The names and logos of other companies mentioned herein may be trademarks of their respective owners. This document is for informational purposes only. Infastech makes no warranties, expressed or implied, in this document. Data shown is subject to change without prior notice as a result of continuous product development and improvement policy. Your local Avdel representative is at your disposal should you need to confirm latest information.