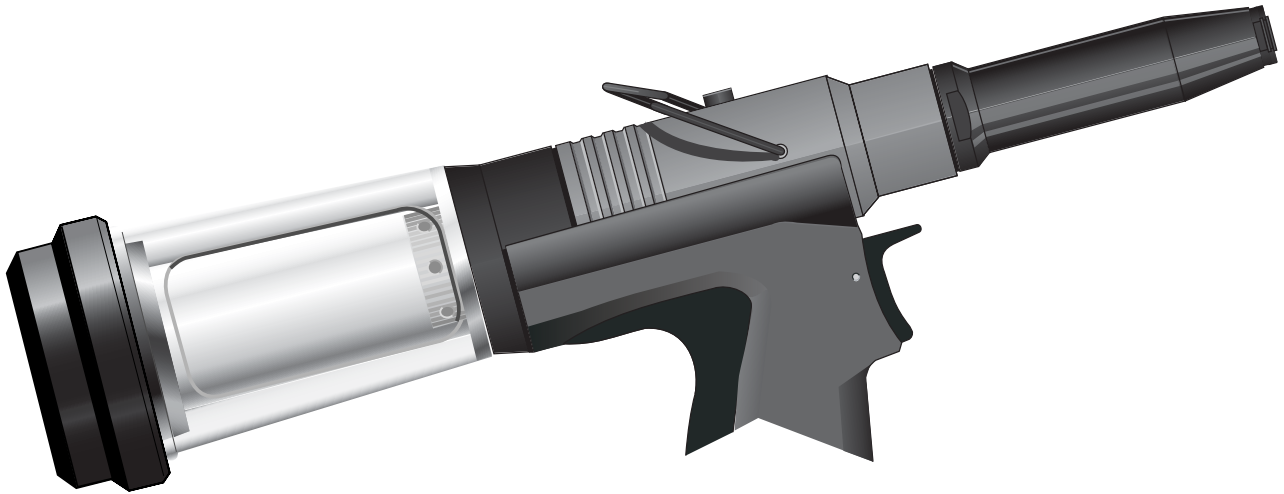


Fixed Stem Collector Bottle Fitting Instructions For Genesis[®] Tools (nG Range)



Genesis[®] nG Fixed Stem Collector Bottle Option

The Fixed Stem Collector Bottle is available to supplement the Genesis[®] nG tool range (nG1 to nG4). Where the usage would benefit from a 'fixed' collector bottle rather than the supplied 'quick release' collector bottle the following fixed bottle options are available in kits:

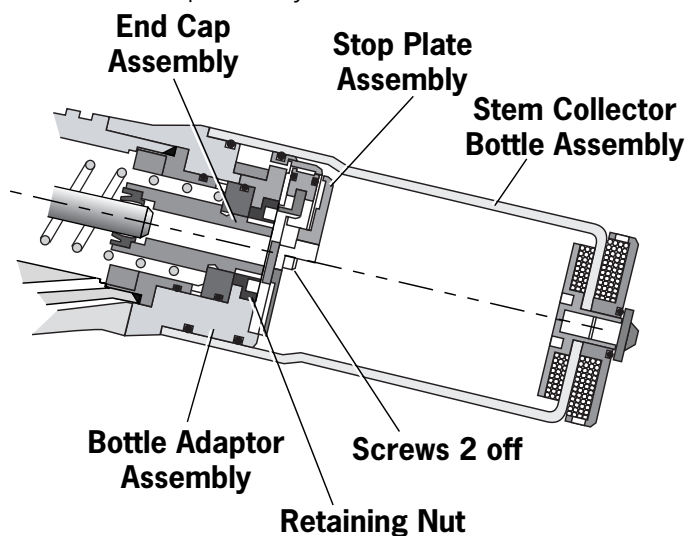
- For **nG1, nG2, nG2S** and **nG3** Kit No. **71213-99901**
- For **nG4** Kit No. **71233-99901**

Fitting Instructions

THE AIR LINE MUST BE DISCONNECTED BEFORE ANY DISMANTLING IS ATTEMPTED.

Items shown in the illustration below must be removed to prepare the tool for fitting the Fixed Stem Collector Bottle.

- A partial rotation and pull movement removes the Stem Collector Bottle Assembly.
- Unscrew the two Screws to remove the Stop Plate Assembly.
- Unscrew the Retaining Nut and pull off the Bottle Adaptor Assembly.
- Unscrew and remove the End Cap Assembly.



For more detail on removal please refer to the Instruction Manual supplied with the Genesis[®] tool.

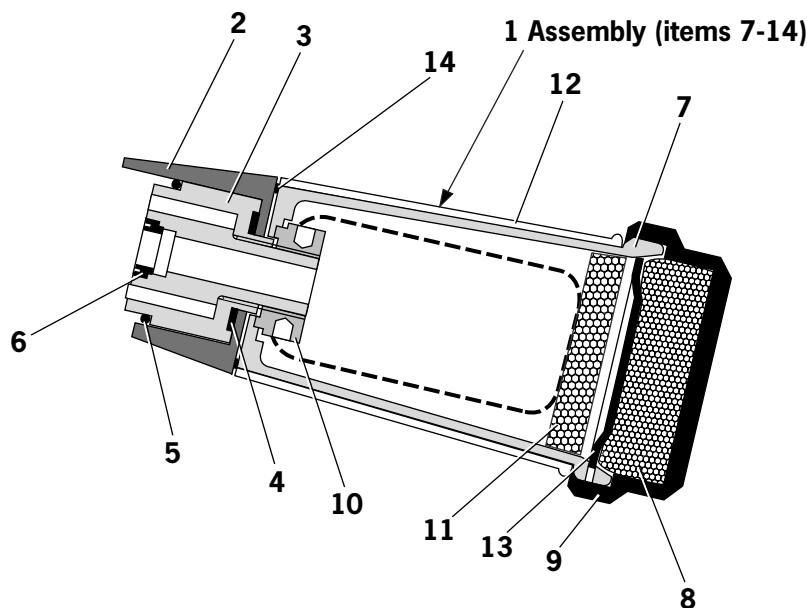
Fixed Stem Collector Bottle

To fit the 'fixed' Stem Collector Bottle:

- Assemble 'O' Ring **5** and Lip Seal **6** into the End Cap Assembly **3**.
- Screw the assembled End Cap Assembly **5,6** and **3** into the Tool Head Assembly.
- Fit the Seal **4** into the recess in End Cap Assembly **3**.
- Fit the Bottle Adaptor Assembly **2**.
- Fit the Bottle Assembly **1** (items **7** to **14**) over the locating pins in Bottle Adaptor Assembly **2**.
- Rotate the Stem Catcher Outer **12** so that the aperture in the Stem Catcher **7** is fully exposed.
- Screw on the Retaining Nut **10** and tighten using a tommy bar.
- For all other servicing and maintenance instructions refer to the relevant Genesis[®] nG tool manual.

Item numbers in **bold** refer to the Fixed Stem Collector Bottle General Assembly and Parts List (see below).

General Assembly



Parts List

Fixed Stem Collector Bottle Kit							
nG1, nG2, nG2S & nG3 Kit N ^o 71213-99901 / nG4 Kit N ^o 71233-99901							
ITEM	PART NUMBER	DESCRIPTION	QTY	ITEM	PART NUMBER	DESCRIPTION	QTY
1	71210-20400	BOTTLE ASSEMBLY (items 7-14)	1	7	71210-02051	STEM CATCHER BODY (ref)	1
2	71403-02110	BOTTLE ADAPTOR ASSEMBLY	1	8	71210-02035	SILENCER (ref)	1
3	71403-02120	END CAP ASSEMBLY	1	9	71210-02034	SILENCER CAP (ref)	1
3*	71231-02001	END CAP ASSEMBLY nG4	1	10	71210-02028	RETAINING NUT (ref)	1
4	71210-02029	SEAL	1	11	07640-00244	SILENCER (ref)	1
5	07003-00278	'O' RING	1	12	07640-00239	STEM CATCHER OUTER (ref)	1
6	07003-00274	LIP SEAL	1	13	07340-00335	STEM CATCHER END CAP (ref)	1
6*	07003-00374	LIP SEAL nG4	1	14	07003-00311	'O' RING (ref)	1

*Parts substituted in nG4 Kit (71233-99901)

Notes



Since 1922



Avdel® iForm™

Since 1 936

2010



Our Technology, Your Success

AUSTRALIA

Infastech (Australia) Pty Ltd.

891 Wellington Road
Rowville
Victoria 3178
Tel: +61 3 9765 6400
Fax: +61 3 9765 6445
info@infastech.com.au

CANADA

Avdel Canada Limited

1030 Lorimar Drive
Mississauga
Ontario L5S 1R8
Tel: +1 905 364 0664
Fax: +1 905 364 0678
infoAvdel-Canada@infastech.com

CHINA

Infastech (China) Ltd.

RM 1708, 17/F., Nanyang Plaza,
57 Hung To Rd., Kwun Tong
Hong Kong
Tel: +852 2950 0631
Fax: +852 2950 0022
infochina@infastech.com

FRANCE

Avdel France S.A.S.

33 bis, rue des Ardennes
BP4
75921 Paris Cedex 19
Tel: +33 (0) 1 4040 8000
Fax: +33 (0) 1 4208 2450
AvdelFrance@infastech.com

GERMANY

Avdel Deutschland GmbH

Klusriede 24
30851 Langenhagen
Tel: +49 (0) 511 7288 0
Fax: +49 (0) 511 7288 133
AvdelDeutschland@infastech.com

INDIA

Infastech Fastening Technologies

India Private Limited

Plot No OZ-14, Hi Tech SEZ,
SIPCOT Industrial Growth Center,
Oragadam, Sriperumbudur Taluk,
Kanchipuram District,
602105 Tamilnadu
Tel: +91 44 4711 8001
Fax: +91 44 4711 8009
info-in@infastech.com

ITALY

Avdel Italia S.r.l.

Viale Lombardia 51/53
20047 Brugherio (MI)
Tel: +39 039 289911
Fax: +39 039 2873079
vendite@infastech.com

JAPAN

Infastech Kabushiki Kaisha

Center Minami SKY,
3-1 Chigasaki-Chuo, Tsuzuki-ku,
Yokohama-city,
Kanagawa Prefecture
Japan 224-0032
Tel: +81 45 947 1200
Fax: +81 45 947 1205
info@infastech.co.jp

MALAYSIA

Infastech (Malaysia) Sdn Bhd

Lot 63, Persiaran Bunga Tanjung 1,
Senawang Industrial Park
70400 Seremban
Negeri Sembilan
Tel: +606 676 7168
Fax: +606 676 7101
info-my@infastech.com

SINGAPORE

Infastech (Singapore) Pte Ltd.

31 Kaki Bukit Road 3
#05-03/06 Techlink
Singapore, 417818
Tel: +65 6372 5653
Fax: +65 6744 5643
info-sg@infastech.com

SOUTH KOREA

Infastech (Korea) Ltd.

212-4, Suyang-Ri,
Silchon-Eup, Kwangju-City,
Kyunggi-Do, Korea, 464-874
Tel: +82 31 798 6340
Fax: +82 31 798 6342
info@infastech.co.kr

SPAIN

Avdel Spain S.A.

C/ Puerto de la Morcuera, 14
Poligono Industrial Prado Overa
Ctra. de Toledo, km 7,8
28919 Leganés (Madrid)
Tel: +34 91 3416767
Fax: +34 91 3416740
ventas@infastech.com

TAIWAN

Infastech/Tri-Star Limited

No 269-7, Baodong Rd,
Guanmiao Township,
71841 Tainan County,
Taiwan, R.O.C
Tel: +886 6 596 5798 (ext 201)
Fax: +886 6 596 5758
info-tw@infastech.com

UNITED KINGDOM

Avdel UK Limited

Pacific House
2 Swiftfields
Watchmead Industrial Estate
Welwyn Garden City
Hertfordshire AL7 1LY
Tel: +44 (0) 1707 292000
Fax: +44 (0) 1707 292199
enquiries@infastech.com

USA

Avdel USA LLC

614 NC Highway 200 South
Stanfield, North Carolina 28163
Tel: +1 704 888 7100
Fax: +1 704 888 0258
infoAvdel-USA@infastech.com

Data Sheet No.	Issue	Change Note No.
07900-00880	A	06/441
	B	07/044
	B2	07/103
	B3	11/018

www.avdel-global.com
www.infastech.com

Autosert® (equipment), Avbolt®, Avdel®, Avdelmate®, Avdel TX2000®, Avdelok®, Avex®, Avibulb®, Avinox®, Avinut™, Avlug®, Avmatic®, Avplas®, Avseal®, Avsert®, Avtainer®, Avtronic®, Briv®, Bulbex®, Chobert®, Eurosert®, Fastriv®, Finsert®, Genesis®, Grovit®, Hemlok®, Hexsert®, Holding your world together®, Hydra®, Interlock®, Klamp-Tite®, KlampTite KTR®, Kvex®, Maxlok®, Monobolt®, Monobulb®, Neobolt®, Nutsert®, Nutsert SQ®, Portariv®, Rivmatic®, Rivscrew®, Speed Fastening®, Squaresert®, Stavex®, Supersert®, Thin Sheet Nutsert®, Titan®, T-Lok®, TLR®, TSN®, TX2000®, Versa-Nut®, Viking® and Viking 360® are trademarks of Avdel UK Limited. Infastech™ and Our Technology, Your Success™ are trademarks of Infastech Intellectual Properties Pte Ltd. The names and logos of other companies mentioned herein may be trademarks of their respective owners. This document is for informational purposes only. Infastech makes no warranties, expressed or implied, in this document. Data shown is subject to change without prior notice as a result of continuous product development and improvement policy. Your local Avdel representative is at your disposal should you need to confirm latest information.