

## Genesis®

### Munstycksutrustning med snabbkoppling

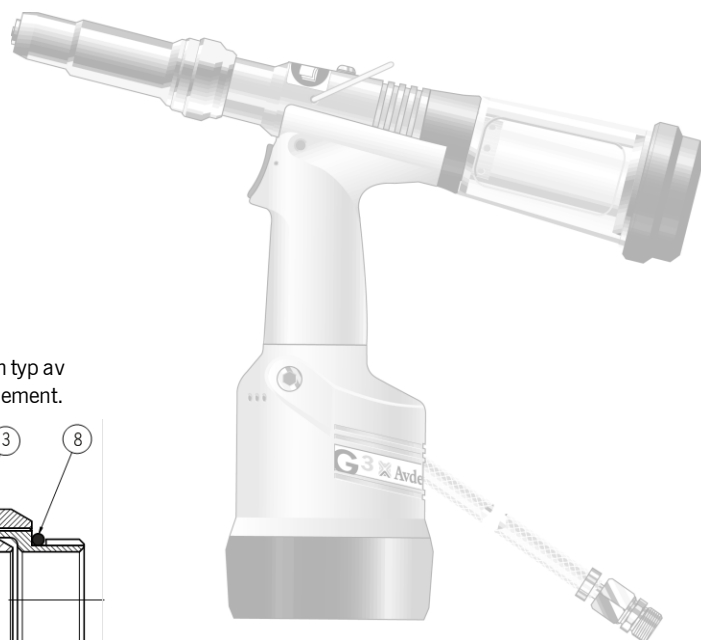
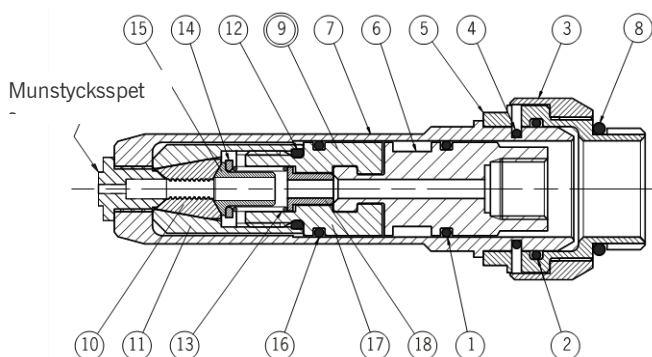
#### MUNSTYCKSENHETER MED SNABBKOPPLING:

71210-20310 – Enhet med 71210-15001-back  
(för G2-verktygstyper)

71220-20310 – Enhet med 71210-15001-back  
(för G3/4-verktygstyper)

71220-20350 – Enhet med 07612-02002-back  
(för G3/4-verktygstyper)

(Obs! Se verktygshandboken för munstycksutrustning om typ av back och lämplig munstycksspets för angivet fästelement.



|         |   | GENESIS® VERKTYGSTYP        |                            |                            |
|---------|---|-----------------------------|----------------------------|----------------------------|
| ARTIKEL | BESKRIVNING                                 | nG1/nG2/nG2s<br>G2/G2s/G2HD | nG3/nG4<br>G3/G4/G3HD/G4HD | nG3/nG4<br>G3/G4/G3HD/G4HD |
|         | <b>MUNSTYCKSENHET MED<br/>SNABBKOPPLING</b> | <b>71210-20310</b>          | <b>71220-20310</b>         | <b>71220-20350</b>         |
| 1       | O-ring                                      | 07003-00277                 | 07003-00369                | 07003-00369                |
| 2       | O-ring                                      | 07003-00342                 | 07003-00368                | 07003-00368                |
| 3       | Fjäderkåpa                                  | 71210-20311                 | 71220-20311                | 71220-20311                |
| 4       | U-fjäder                                    | 7121020312                  | 71220-20312                | 71220-20312                |
| 5       | Adapter för munstyckshylsa                  | 71210-20313                 | 71220-20313                | 71220-20313                |
| 6       | T-adapter                                   | 71210-20314                 | 71220-20314                | 71220-20314                |
| 7       | Munstyckshylsa med snabbkoppling            | 71210-20316                 | 71220-20316                | 71220-20316                |
| 8       | O-ring                                      | 07003-00349                 | 07003-00349                | 07003-00349                |
| 9       | *Patron för munstycksutrustning             | 71210-20320                 | 71220-20320                | 71220-20360                |
| 10      | Backar                                      | 71210-15001                 | 71210-15001                | 07612-02002                |
| 11      | Backkåpa                                    | 07340-00304                 | 07340-00304                | 07612-02003                |
| 12      | Låsring                                     | 07340-00327                 | 07340-00327                | 07340-00327                |
| 13      | Fjäder                                      | 07500-00418                 | 07500-00418                | 07500-00418                |
| 14      | Buffert                                     | 71210-05001                 | 71210-05001                | 71210-05001                |
| 15      | Backspridare                                | 07498-04502                 | 07498-04502                | 07498-04502                |
| 16      | O-ring                                      | 07003-00277                 | 07003-00369                | 07003-00369                |
| 17      | T-backspridarkåpa                           | 71210-20321                 | 71220-20321                | 71220-20321                |
| 18      | Spärrhylsa                                  | 71210-20322                 | 71220-20322                | 71220-20322                |

\* Patron för munstycksutrustning består av artikel 10 till 18

## Genesis<sup>®</sup> Munstycksutrustning med snabbkoppling

### Så här förbereder du basverktyget för munstycksutrustning med snabbkoppling

---

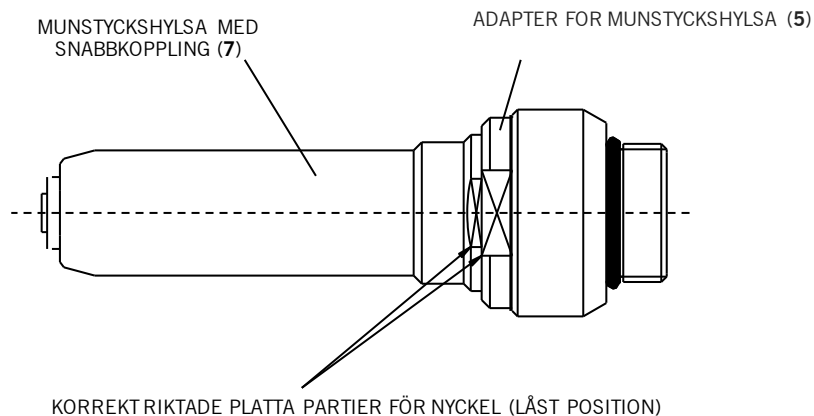
(Se relevant Genesis<sup>®</sup>-verktygshandbok.)

- För verktygen nG3/4, G3/4 och G2/G2s, ta bort backspridarkåpan 71210-02101.
- För verktygen nG1, nG2 och nG2s, ta bort T-adaptren 71213-02020.
- Ersätt artikeln ovan med T-adapter (artikel **6**). (**Obs!** För nG3/4-verktyg monteras T-adapter (artikel **6**) genom adapter för munstyckshylsa Enhet (artikel **2, 3, 4, 5** och **8**).
- Skruva in adapterenheten för munstyckshylsa (artikel **2, 3, 4, 5** och **8**) i framsidan av verktyget.
- Patron för munstycksutrustning (artikel **9**) monteras på T-adaptren (artikel **6**) genom att skjuta in den i samma plan som kolven.
- Se till att de platta partierna är korrekt riktade och tryck in munstyckshylsan med snabbkoppling (artikel **7**) i adaptren för munstyckshylsan (artikel **5**). Detta låser munstyckshylsan med snabbkoppling på plats.

### Så här tar du bort munstycksutrustningen med snabbkoppling

---

- Vrid munstyckshylsan med snabbkoppling (artikel **7**) 90 grader och dra ut den ur adaptren för munstyckshylsan (artikel **5**).
- Lossa patronen för munstycksutrustning (artikel **9**) från T-adaptren (artikel **6**) genom att skjuta patronen i samma plan som huvudkolven.



Artikelnummer i **fet stil** refererar till stycklistan på framsidan.



**AUSTRALIA**

**Infastech (Australia) Pty Ltd.**

891 Wellington Road  
Rowville  
Victoria 3178  
Tel: +61 3 9765 6400  
Fax: +61 3 9765 6445  
info@infastech.com.au

**CANADA**

**Avdel Canada Limited**

1030 Lorimar Drive  
Mississauga  
Ontario L5S 1R8  
Tel: +1 905 364 0664  
Fax: +1 905 364 0678  
infoAvdel-Canada@infastech.com

**KINA**

**Infastech (China) Ltd.**

RM 1708, 17/F., Nanyang Plaza,  
57 Hung To Rd., Kwun Tong  
Hong Kong  
Tel: +852 2950 0631  
Fax: +852 2950 0022  
infochina@infastech.com

**FRANKRIKE**

**Avdel France S.A.S.**

33 bis, rue des Ardennes  
BP4  
75921 Paris Cedex 19  
Tel: +33 (0) 1 4040 8000  
Fax: +33 (0) 1 4208 2450  
AvdelFrance@infastech.com

**TYSKLAND**

**Avdel Deutschland GmbH**

Klusriede 24  
30851 Langenhagen  
Tel: +49 (0) 511 7288 0  
Fax: +49 (0) 511 7288 133  
AvdelDeutschland@infastech.com

**INDIA**

**Infastech Fastening Technologies**

**India Private Limited**

Plot No OZ-14, Hi Tech SEZ,  
SIPCOT Industrial Growth Center,  
Oragadam, Sriperumbudur Taluk,  
Kanchipuram District,  
602105 Tamilnadu  
Tel: +91 44 4711 8001  
Fax: +91 44 4711 8009  
info-in@infastech.com

**ITALIA**

**Avdel Italia S.r.l.**

Viale Lombardia 51/53  
20047 Brugherio (MI)  
Tel: +39 039 289911  
Fax: +39 039 2873079  
vendite@infastech.com

**JAPAN**

**Infastech Kabushiki Kaisha**

Center Minami SKY,  
3-1 Chigasaki-Chuo, Tsuzuki-ku,  
Yokohama-city,  
Kanagawa Prefecture  
Japan 224-0032  
Tel: +81 45 947 1200  
Fax: +81 45 947 1205  
info@infastech.co.jp

**MALAYSIA**

**Infastech (Malaysia) Sdn Bhd**

Lot 63, Persiaran Bunga Tanjung 1,  
Senawang Industrial Park  
70400 Seremban  
Negeri Sembilan  
Tel: +606 676 7168  
Fax: +606 676 7101  
info-my@infastech.com

**SINGAPORE**

**Infastech (Singapore) Pte Ltd.**

31 Kaki Bukit Road 3  
#05-03/06 Techlink  
Singapore, 417818  
Tel: +65 6372 5653  
Fax: +65 6744 5643  
info-sg@infastech.com

**SØR-KOREA**

**Infastech (Korea) Ltd.**

212-4, Suyang-Ri,  
Silchon-Eup, Kwangju-City,  
Kyunggi-Do, Korea, 464-874  
Tel: +82 31 798 6340  
Fax: +82 31 798 6342  
info@infastech.co.kr

**SPANIA**

**Avdel Spain S.A.**

C/ Puerto de la Morcuera, 14  
Poligono Industrial Prado Overa  
Ctra. de Toledo, km 7,8  
28919 Leganés (Madrid)  
Tel: +34 91 3416767  
Fax: +34 91 3416740  
ventas@infastech.com

**TAIWAN**

**Infastech/Tri-Star Limited**

No 269-7, Baodong Rd,  
Guanmiao Township,  
71841 Tainan County,  
Taiwan, R.O.C  
Tel: +886 6 596 5798 (ext 201)  
Fax: +886 6 596 5758  
info-tw@infastech.com

**STORBRITANNIA**

**Avdel UK Limited**

Pacific House  
2 Swiftfields  
Watchmead Industrial Estate  
Welwyn Garden City  
Hertfordshire AL7 1LY  
Tel: +44 (0) 1707 292000  
Fax: +44 (0) 1707 292199  
enquiries@infastech.com

**USA**

**Avdel USA LLC**

614 NC Highway 200 South  
Stanfield, North Carolina 28163  
Tel: +1 704 888 7100  
Fax: +1 704 888 0258  
infoAvdel-USA@infastech.com

| Manual No.  | Issue | Change Note No. |
|-------------|-------|-----------------|
| 07900-00798 | A     | 07/044          |
|             | A2    | 07/103          |
|             | B     | 11/019          |

[www.avdel-global.com](http://www.avdel-global.com)  
[www.infastech.com](http://www.infastech.com)

Autosert® (equipment), Avbolt®, Avdel®, Avdelmate®, Avdel TX2000®, Avdelok®, Avex®, Avibulb®, Avinox®, Avinut™, Avlug®, Avmatic®, Avplas®, Avseal®, Avsert®, Avtainer®, Avtronic®, Briv®, Bulbex®, Chobert®, Eurosert®, Fastriv®, Finsert®, Genesis®, Grovit®, Hemlok®, Hexsert®, Holding your world together®, Hydra®, Interlock®, Klamp-Tite®, KlampTite KTR®, Kvex®, Maxlok®, Monobolt®, Monobulb®, Neobolt®, Nutsert®, Nutsert SQ®, Portariv®, Rivmatic®, Rivscrew®, Speed Fastening®, Squaresert®, Stavex®, Supersert®, Thin Sheet Nutsert®, Titan®, T-Lok®, TLR®, TSN®, TX2000®, Versa-Nut®, Viking® og Viking 360® er varemerker tilhørende Avdel UK Limited. Infastech™ og Our Technology, Your Success™ er varemerker tilhørende Infastech Intellectual Properties Pte Ltd. Navn og logoer til andre firmaer nevnt heri kan være varemerker tilhørende respektive eiere. Dette dokumentet er kun ment som informasjon. Infastech kommer ikke med noen garantier, verken uttrykt eller antydning, i dette dokumentet. Data vist i dokumentet kan endres uten foregående varsel som et resultat av kontinuerlige produktutviklings- og produktforbedringsstrategier. Din lokale Avdel-representant står til din disposisjon dersom du skulle ha behov for å bekrefte den nyeste informasjonen.

# Genesis®

## Quick Release Nose Equipment

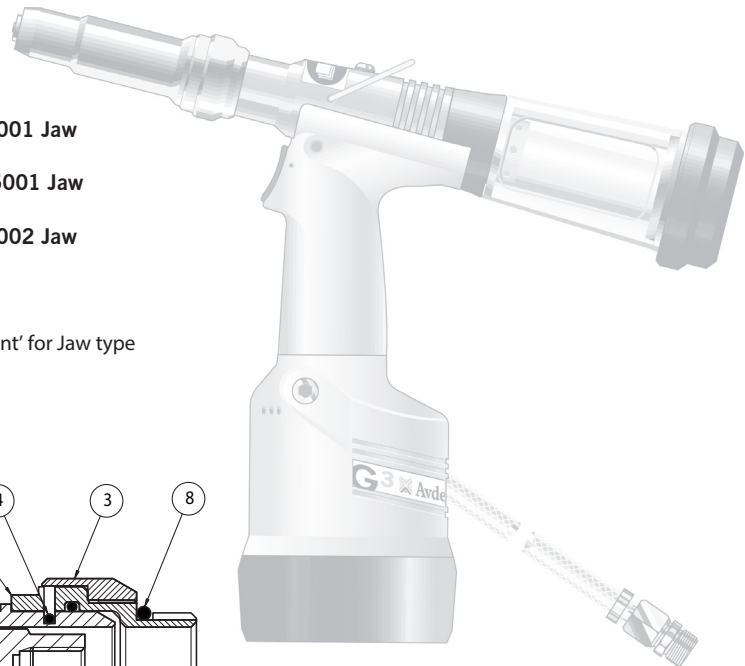
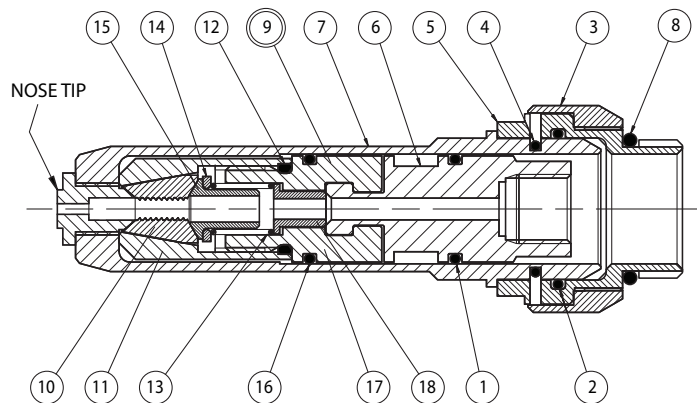
### QUICK RELEASE NOSE ASSEMBLIES:

71210-20310 - Assembly incorporating 71210-15001 Jaw  
(for G2 tool types)

71220-20310 - Assembly incorporating 71210-15001 Jaw  
(for G3/4 tool types)

71220-20350 - Assembly incorporating 07612-02002 Jaw  
(for G3/4 tool types)

**Note:** Refer to tool Instruction Manual 'Nose Equipment' for Jaw type and appropriate Nose Tip for specified fastener.



|      |                                    | GENESIS® TOOL TYPE            |                               |                               |
|------|------------------------------------|-------------------------------|-------------------------------|-------------------------------|
| ITEM | DESCRIPTION                        | nG1/nG2/nG2s<br>G2/ G2s/ G2HD | nG3/nG4<br>G3/ G4/ G3HD/ G4HD | nG3/nG4<br>G3/ G4/ G3HD/ G4HD |
|      | <b>QUICK RELEASE NOSE ASSEMBLY</b> | <b>71210-20310</b>            | <b>71220-20310</b>            | <b>71220-20350</b>            |
| 1    | 'O' Ring                           | 07003-00277                   | 07003-00369                   | 07003-00369                   |
| 2    | 'O' Ring                           | 07003-00342                   | 07003-00368                   | 07003-00368                   |
| 3    | Spring Cover                       | 71210-20311                   | 71220-20311                   | 71220-20311                   |
| 4    | 'U' Spring                         | 71210-20312                   | 71220-20312                   | 71220-20312                   |
| 5    | Nose Case Adaptor                  | 71210-20313                   | 71220-20313                   | 71220-20313                   |
| 6    | 'T' Adaptor                        | 71210-20314                   | 71220-20314                   | 71220-20314                   |
| 7    | Quick Release Nose Casing          | 71210-20316                   | 71220-20316                   | 71220-20316                   |
| 8    | 'O' Ring                           | 07003-00349                   | 07003-00349                   | 07003-00349                   |
| 9    | * Nose Equipment Cartridge         | 71210-20320                   | 71220-20320                   | 71220-20360                   |
| 10   | Jaw Set                            | 71210-15001                   | 71210-15001                   | 07612-02002                   |
| 11   | Jaw Housing                        | 07340-00304                   | 07340-00304                   | 07612-02003                   |
| 12   | Locking Ring                       | 07340-00327                   | 07340-00327                   | 07340-00327                   |
| 13   | Spring                             | 07500-00418                   | 07500-00418                   | 07500-00418                   |
| 14   | Buffer                             | 71210-05001                   | 71210-05001                   | 71210-05001                   |
| 15   | Jaw Spreader                       | 07498-04502                   | 07498-04502                   | 07498-04502                   |
| 16   | 'O' Ring                           | 07003-00277                   | 07003-00369                   | 07003-00369                   |
| 17   | Jaw Spreader Housing 'T'           | 71210-20321                   | 71220-20321                   | 71220-20321                   |
| 18   | Detent Sleeve                      | 71210-20322                   | 71220-20322                   | 71220-20322                   |

\* Nose Equipment Cartridge comprising Items 10 to 18

## Genesis® Quick Release Nose Equipment

### To Prepare Base Tool to Accept Quick Release Nose Equipment

---

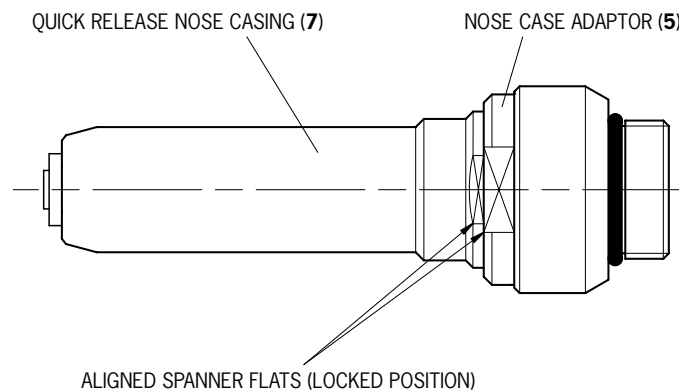
(Refer to the relevant Genesis® Tool Instruction Manual.)

- For nG3/4, G3/4 and G2/G2s tools remove Jaw Spreader Housing 71210-02101.
- For nG1, nG2 and nG2s tools remove 'T' Adaptor 71213-02020.
- Replace above part with 'T' Adaptor (item **6**). **Note:** For nG3/4 tools 'T' Adaptor (item **6**) is assembled through Nose Case Adaptor Assembly (items **2, 3, 4, 5** and **8**).
- Screw the Nose Case Adaptor Assembly (items **2, 3, 4, 5** and **8**) into the front of the tool.
- The Nose Equipment Cartridge (item **9**) is assembled onto the 'T' Adaptor (item **6**) by sliding in a plane normal to the Piston.
- Push the Quick Release Nose Casing (item **7**) into the Nose Case Adaptor (item **5**) ensuring flats are aligned, this locks the Quick Release Nose Casing into position.

### To Remove the Quick Release Nose Equipment

---

- Rotate the Quick Release Nose Casing (item **7**) through 90 degrees and pull out of the Nose Case Adaptor (item **5**).
- To release the Nose Equipment Cartridge (item **9**) from 'T' Adaptor (item **6**) slide cartridge in a plane normal to the head Piston.



Item numbers in **bold** refer to the Parts List on the front page.



Notes



Since 1922



Avdel® iForm™

Since 1936

2010



Our Technology, Your Success

#### AUSTRALIA

##### Infastech (Australia) Pty Ltd.

891 Wellington Road  
Rowville  
Victoria 3178  
Tel: +61 3 9765 6400  
Fax: +61 3 9765 6445  
info@infastech.com.au

#### CANADA

##### Avdel Canada Limited

1030 Lorimar Drive  
Mississauga  
Ontario L5S 1R8  
Tel: +1 905 364 0664  
Fax: +1 905 364 0678  
infoAvdel-Canada@infastech.com

#### CHINA

##### Infastech (China) Ltd.

RM 1708, 17/F., Nanyang Plaza,  
57 Hung To Rd., Kwun Tong  
Hong Kong  
Tel: +852 2950 0631  
Fax: +852 2950 0022  
infochina@infastech.com

#### FRANCE

##### Avdel France S.A.S.

33 bis, rue des Ardennes  
BP4  
75921 Paris Cedex 19  
Tel: +33 (0) 1 4040 8000  
Fax: +33 (0) 1 4208 2450  
AvdelFrance@infastech.com

#### GERMANY

##### Avdel Deutschland GmbH

Klusriede 24  
30851 Langenhagen  
Tel: +49 (0) 511 7288 0  
Fax: +49 (0) 511 7288 133  
AvdelDeutschland@infastech.com

#### INDIA

##### Infastech Fastening Technologies

##### India Private Limited

Plot No OZ-14, Hi Tech SEZ,  
SIPCOT Industrial Growth Center,  
Oragadam, Sriperumbudur Taluk,  
Kanchipuram District,  
602105 Tamilnadu  
Tel: +91 44 4711 8001  
Fax: +91 44 4711 8009  
info-in@infastech.com

#### ITALY

##### Avdel Italia S.r.l.

Viale Lombardia 51/53  
20047 Brugherio (MI)  
Tel: +39 039 289911  
Fax: +39 039 2873079  
vendite@infastech.com

#### JAPAN

##### Infastech Kabushiki Kaisha

Center Minami SKY,  
3-1 Chigasaki-Chuo, Tsuzuki-ku,  
Yokohama-city,  
Kanagawa Prefecture  
Japan 224-0032  
Tel: +81 45 947 1200  
Fax: +81 45 947 1205  
info@infastech.co.jp

#### MALAYSIA

##### Infastech (Malaysia) Sdn Bhd

Lot 63, Persiaran Bunga Tanjung 1,  
Senawang Industrial Park  
70400 Seremban  
Negeri Sembilan  
Tel: +606 676 7168  
Fax: +606 676 7101  
info-my@infastech.com

#### SINGAPORE

##### Infastech (Singapore) Pte Ltd.

31 Kaki Bukit Road 3  
#05-03/06 Techlink  
Singapore, 417818  
Tel: +65 6372 5653  
Fax: +65 6744 5643  
info-sg@infastech.com

#### SOUTH KOREA

##### Infastech (Korea) Ltd.

212-4, Suyang-Ri,  
Silchon-Eup, Kwangju-City,  
Kyunggi-Do, Korea, 464-874  
Tel: +82 31 798 6340  
Fax: +82 31 798 6342  
info@infastech.co.kr

#### SPAIN

##### Avdel Spain S.A.

C/ Puerto de la Morcuera, 14  
Poligono Industrial Prado Overa  
Ctra. de Toledo, km 7,8  
28919 Leganés (Madrid)  
Tel: +34 91 3416767  
Fax: +34 91 3416740  
ventas@infastech.com

#### TAIWAN

##### Infastech/Tri-Star Limited

No 269-7, Baodong Rd,  
Guanmiao Township,  
71841 Tainan County,  
Taiwan, R.O.C  
Tel: +886 6 596 5798 (ext 201)  
Fax: +886 6 596 5758  
info-tw@infastech.com

#### UNITED KINGDOM

##### Avdel UK Limited

Pacific House  
2 Swiftfields  
Watchmead Industrial Estate  
Welwyn Garden City  
Hertfordshire AL7 1LY  
Tel: +44 (0) 1707 292000  
Fax: +44 (0) 1707 292199  
enquiries@infastech.com

#### USA

##### Avdel USA LLC

614 NC Highway 200 South  
Stanfield, North Carolina 28163  
Tel: +1 704 888 7100  
Fax: +1 704 888 0258  
infoAvdel-USA@infastech.com

| Data Sheet No | Issue | Change Note No. |
|---------------|-------|-----------------|
| 07900-00798   | A3    | 08/198          |
|               | B     | 11/019          |
|               |       |                 |
|               |       |                 |

[www.avdel-global.com](http://www.avdel-global.com)  
[www.infastech.com](http://www.infastech.com)

Autosert® (equipment), Avbolt®, Avdel®, Avdelmate®, Avdel TX2000®, Avdelok®, Avex®, Avibulb®, Avinox®, Avinut™, Avlug®, Avmatic®, Avplas®, Avseal®, Avsert®, Avtainer®, Avtronic®, Briv®, Bulbex®, Chobert®, Eurosert®, Fastriv®, Finsert®, Genesis®, Grovit®, Hemlok®, Hexsert®, Holding your world together®, Hydra®, Interlock®, Klamp-Tite®, KlampTite KTR®, Kvex®, Maxlok®, Monobolt®, Monobulb®, Neobolt®, Nutsert®, Nutsert SQ®, Portariv®, Rivmatic®, Rivscrew®, Speed Fastening®, Squaresert®, Stavex®, Supersert®, Thin Sheet Nutsert®, Titan®, T-Lok®, TLR®, TSN®, TX2000®, Versa-Nut®, Viking® and Viking 360® are trademarks of Avdel UK Limited. Infastech™ and Our Technology, Your Success™ are trademarks of Infastech Intellectual Properties Pte Ltd. The names and logos of other companies mentioned herein may be trademarks of their respective owners. This document is for informational purposes only. Infastech makes no warranties, expressed or implied, in this document. Data shown is subject to change without prior notice as a result of continuous product development and improvement policy. Your local Avdel representative is at your disposal should you need to confirm latest information.