

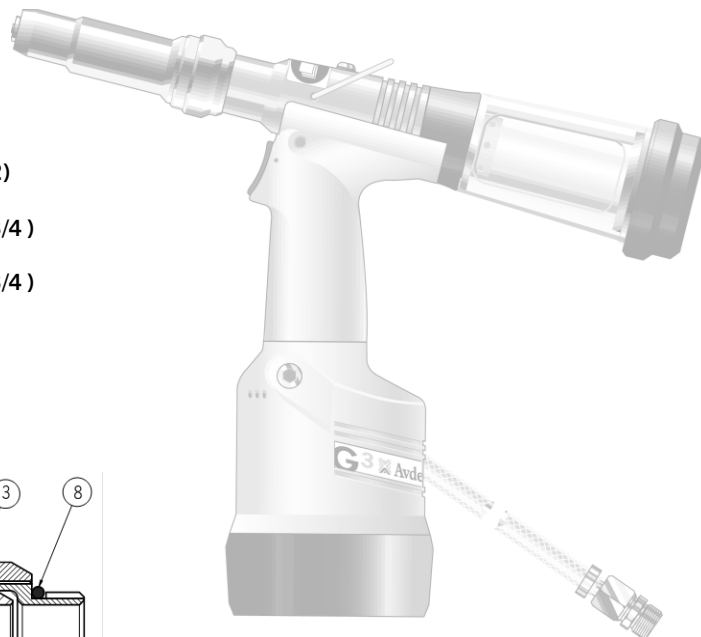
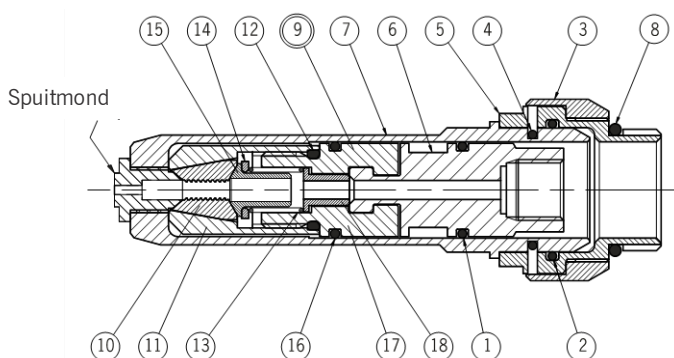
Genesis®

Spuitkop met snelkoppeling

SPUITKOP MET SNELKOPPELING:

- 71210-20310 - Set met bek 71210-15001
(voor gereedschapstype G2)
- 71220-20310 - Set met bek 71210-15001
(voor gereedschapstype G3/4)
- 71220-20350 - Set met bek 07612-02002
(voor gereedschapstype G3/4)

Opmerking: Raadpleeg de instructiehandleiding van de 'Spuitkop' voor het type bek en de juiste spuitmond voor de betreffende bevestiging.



		GENESIS® GEREEDSCHAPSTYPE		
NR.	OMSCHRIJVING	nG1/nG2/nG2s G2/G2s/G2HD	nG3/nG4 G3/G4/G3HD/G4HD	nG3/nG4 G3/G4/G3HD/G4HD
	SPUITKOP MET SNELKOPPELING	71210-20310	71220-20310	71220-20350
1	O-ring	07003-00277	07003-00369	07003-00369
2	O-ring	07003-00342	07003-00368	07003-00368
3	Veer kap	71210-20311	71220-20311	71220-20311
4	U-veer	7121020312	71220-20312	71220-20312
5	Spuitkopadapter	71210-20313	71220-20313	71220-20313
6	T-adapter	71210-20314	71220-20314	71220-20314
7	Spuitkopsnelkoppeling	71210-20316	71220-20316	71220-20316
8	O-ring	07003-00349	07003-00349	07003-00349
9	*Spuitkopcassette	71210-20320	71220-20320	71220-20360
10	Bekset	71210-15001	71210-15001	07612-02002
11	Bekhuis	07340-00304	07340-00304	07612-02003
12	Borgring	07340-00327	07340-00327	07340-00327
13	Veer	07500-00418	07500-00418	07500-00418
14	Buffer	71210-05001	71210-05001	71210-05001
15	Bekspreider	07498-04502	07498-04502	07498-04502
16	O-ring	07003-00277	07003-00369	07003-00369
17	Bekspreiderhuis-T	71210-20321	71220-20321	71220-20321
18	Ontspanhuls	71210-20322	71220-20322	71220-20322

* Spuitkopcassette met nummers 10 t/m 18

Genesis® Spuitkop met snelkoppeling

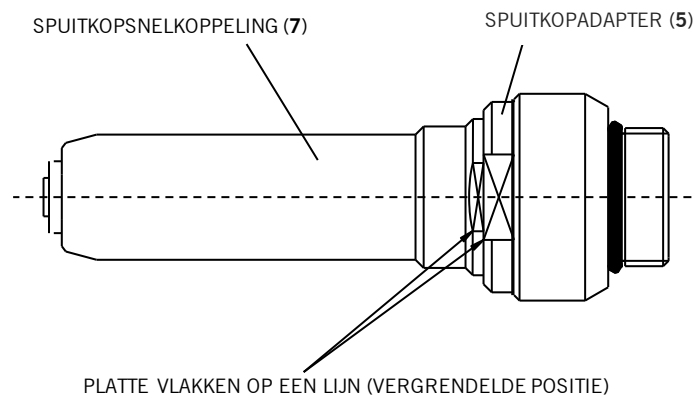
Vorbereiden van het basisgereedschap voor het monteren van de spuitkop met snelkoppeling

(Raadpleeg de instructiehandleiding van het betreffende Genesis®-gereedschap.)

- Voor de gereedschappen nG3/4, G3/4 en G2/G2s: verwijder het bekspreiderhuis 71210-02101.
- Voor de gereedschappen nG1, nG2 en nG2s: verwijder de T-adapter 71213-02020.
- Vervang bovengenoemd onderdeel door de T-adapter nr. **6**. **Opmerking:** Voor de gereedschappen nG3/4 wordt de T-adapter (nr. **6**) geassembleerd tot en met de spuitkopadapter Assembleer de nummers **2, 3, 4, 5 en 8**.
- Schroef de geassembleerde spuitkopadapter (nummers **2, 3, 4, 5 en 8**) in de voorkant van het gereedschap.
- De spuitkopcassette (nr. **9**) wordt op de T-adapter (nr. **6**) geassembleerd door hem te schuiven in een vlak dat loodrecht op de zuiger staat.
- Duw de spuitkopsnelkoppeling (nr. **7**) in de spuitkopadapter (nr. **5**) met de platte vlakken op een lijn. Hierdoor vergrendelt de spuitkopsnelkoppeling in positie.

Verwijderen van de spuitkop met snelkoppeling

- Draai de spuitkopsnelkoppeling (nr. **7**) 90 graden en trek hem uit de spuitkopadapter (nr. **5**).
- De spuitkopcassette (nr. **9**) wordt van de T-adapter (nr. **6**) losgemaakt door de cassette te schuiven in een vlak dat loodrecht op de perszuiger staat.



De **vet** gedrukte nummers verwijzen naar de onderdelenlijst op de voorpagina.

AUSTRALIË

Infastech (Australia) Pty Ltd.

891 Wellington Road
 Rowville
 Victoria 3178
 Tel: +61 3 9765 6400
 Fax: +61 3 9765 6445
 info@infastech.com.au

CANADA

Avdel Canada Limited

1030 Lorimar Drive
 Mississauga
 Ontario L5S 1R8
 Tel: +1 905 364 0664
 Fax: +1 905 364 0678
 infoAvdel-Canada@infastech.com

CHINA

Infastech (China) Ltd.

RM 1708, 17/F., Nanyang Plaza,
 57 Hung To Rd., Kwun Tong
 Hong Kong
 Tel: +852 2950 0631
 Fax: +852 2950 0022
 infochina@infastech.com

FRANKRIJK

Avdel France S.A.S.

33 bis, rue des Ardennes
 BP4
 75921 Paris Cedex 19
 Tel: +33 (0) 1 4040 8000
 Fax: +33 (0) 1 4208 2450
 AvdelFrance@infastech.com

DUITSLAND

Avdel Deutschland GmbH

Klusriede 24
 30851 Langenhagen
 Tel: +49 (0) 511 7288 0
 Fax: +49 (0) 511 7288 133
 AvdelDeutschland@infastech.com

INDIA

Infastech Fastening Technologies

India Private Limited

Plot No OZ-14, Hi Tech SEZ,
 SIPCOT Industrial Growth Center,
 Oragadam, Sriperumbudur Taluk,
 Kanchipuram District,
 602105 Tamilnadu
 Tel: +91 44 4711 8001
 Fax: +91 44 4711 8009
 info-in@infastech.com

ITALIË

Avdel Italia S.r.l.

Viale Lombardia 51/53
 20047 Brugherio (MI)
 Tel: +39 039 289911
 Fax: +39 039 2873079
 vendite@infastech.com

JAPAN

Infastech Kabushiki Kaisha

Center Minami SKY,
 3-1 Chigasaki-Chuo, Tsuzuki-ku,
 Yokohama-city,
 Kanagawa Prefecture
 Japan 224-0032
 Tel: +81 45 947 1200
 Fax: +81 45 947 1205
 info@infastech.co.jp

MALEISIË

Infastech (Malaysia) Sdn Bhd

Lot 63, Persiaran Bunga Tanjung 1,
 Senawang Industrial Park
 70400 Seremban
 Negeri Sembilan
 Tel: +606 676 7168
 Fax: +606 676 7101
 info-my@infastech.com

SINGAPORE

Infastech (Singapore) Pte Ltd.

31 Kaki Bukit Road 3
 #05-03/06 Techlink
 Singapore, 417818
 Tel: +65 6372 5653
 Fax: +65 6744 5643
 info-sg@infastech.com

ZUID-KOREA

Infastech (Korea) Ltd.

212-4, Suyang-Ri,
 Silchon-Eup, Kwangju-City,
 Kyunggi-Do, Korea, 464-874
 Tel: +82 31 798 6340
 Fax: +82 31 798 6342
 info@infastech.co.kr

SPANJE

Avdel Spain S.A.

C/ Puerto de la Morcuera, 14
 Poligono Industrial Prado Overa
 Ctra. de Toledo, km 7,8
 28919 Leganés (Madrid)
 Tel: +34 91 3416767
 Fax: +34 91 3416740
 ventas@infastech.com

TAIWAN

Infastech/Tri-Star Limited

No 269-7, Baodong Rd,
 Guanmiao Township,
 71841 Tainan County,
 Taiwan, R.O.C
 Tel: +886 6 596 5798 (ext 201)
 Fax: +886 6 596 5758
 info-tw@infastech.com

VERENIGD KONINKRIJK

Avdel UK Limited

Pacific House
 2 Swiftfields
 Watchmead Industrial Estate
 Welwyn Garden City
 Hertfordshire AL7 1LY
 Tel: +44 (0) 1707 292000
 Fax: +44 (0) 1707 292199
 enquiries@infastech.com

USA

Avdel USA LLC

614 NC Highway 200 South
 Stanfield, North Carolina 28163
 Tel: +1 704 888 7100
 Fax: +1 704 888 0258
 infoAvdel-USA@infastech.com

Manual No.	Issue	Change Note No.
07900-00798	A	07/044
	A2	07/103
	B	11/019

www.avdel-global.com
www.infastech.com

Autosert® (equipment), Avbolt®, Avdel®, Avdelmate®, Avdel TX2000®, Avdelok®, Avex®, Avibulb®, Avinox®, Avinut™, Avlug®, Avmatic®, Avplas®, Avseal®, Avsert®, Avtainer®, Avtronic®, Briv®, Bulbex®, Chobert®, Eurosert®, Fastriv®, Finsert®, Genesis®, Grovit®, Hemlok®, Hexsert®, Holding your world together®, Hydra®, Interlock®, Klamp-Tite®, KlampTite KTR®, Kvex®, Maxlok®, Monobolt®, Monobulb®, Neobolt®, Nutsert®, Nutsert SQ®, Portariv®, Rivmatic®, Rivscrew®, Speed Fastening®, Squaresert®, Stavex®, Supersert®, Thin Sheet Nutsert®, Titan®, T-Lok®, TLR®, TSN®, TX2000®, Versa-Nut®, Viking® en Viking 360® zijn handelsmerken van Avdel UK Limited. Infastech™ en Our Technology, Your Success™ zijn handelsmerken van Infastech Intellectual Properties Pte Ltd. De namen en logo's van andere hierin genoemde bedrijven kunnen handelsmerken zijn van hun respectievelijke eigenaren. Dit document is alleen bestemd voor informatieve doeleinden. Infastech geeft geen garanties, expliciet of impliciet, in dit document. Genoemde gegevens kunnen worden gewijzigd zonder voorafgaande kennisgeving als gevolg van het beleid van continue productontwikkeling en verbetering. Uw lokale Avdel-vertegenwoordiger geeft u graag de meest recente informatie.

Genesis®

Quick Release Nose Equipment

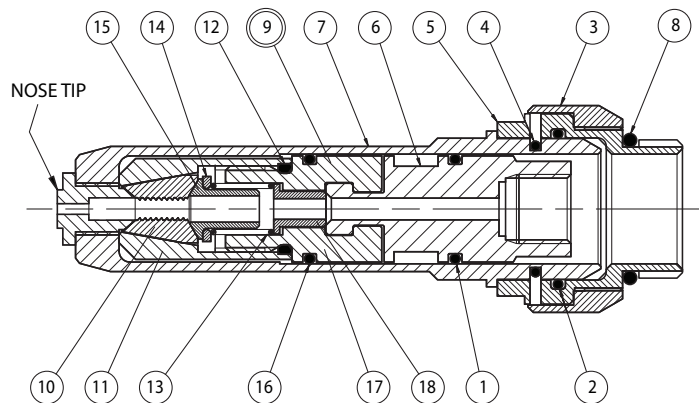
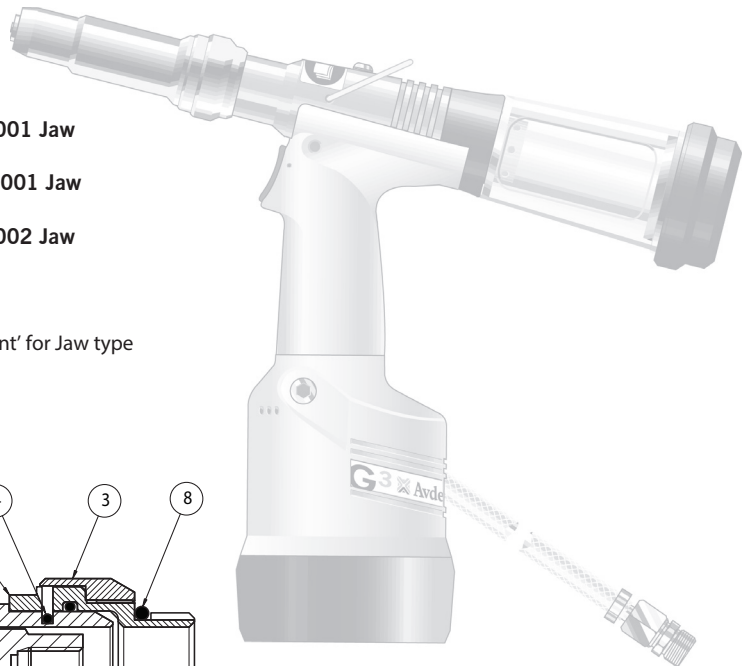
QUICK RELEASE NOSE ASSEMBLIES:

71210-20310 - Assembly incorporating 71210-15001 Jaw
(for G2 tool types)

71220-20310 - Assembly incorporating 71210-15001 Jaw
(for G3/4 tool types)

71220-20350 - Assembly incorporating 07612-02002 Jaw
(for G3/4 tool types)

Note: Refer to tool Instruction Manual 'Nose Equipment' for Jaw type and appropriate Nose Tip for specified fastener.



		GENESIS® TOOL TYPE		
		nG1/nG2/nG2s G2/ G2s/ G2HD	nG3/nG4 G3/ G4/ G3HD/ G4HD	nG3/nG4 G3/ G4/ G3HD/ G4HD
	QUICK RELEASE NOSE ASSEMBLY	71210-20310	71220-20310	71220-20350
1	'O' Ring	07003-00277	07003-00369	07003-00369
2	'O' Ring	07003-00342	07003-00368	07003-00368
3	Spring Cover	71210-20311	71220-20311	71220-20311
4	'U' Spring	71210-20312	71220-20312	71220-20312
5	Nose Case Adaptor	71210-20313	71220-20313	71220-20313
6	'T' Adaptor	71210-20314	71220-20314	71220-20314
7	Quick Release Nose Casing	71210-20316	71220-20316	71220-20316
8	'O' Ring	07003-00349	07003-00349	07003-00349
9	* Nose Equipment Cartridge	71210-20320	71220-20320	71220-20360
10	Jaw Set	71210-15001	71210-15001	07612-02002
11	Jaw Housing	07340-00304	07340-00304	07612-02003
12	Locking Ring	07340-00327	07340-00327	07340-00327
13	Spring	07500-00418	07500-00418	07500-00418
14	Buffer	71210-05001	71210-05001	71210-05001
15	Jaw Spreader	07498-04502	07498-04502	07498-04502
16	'O' Ring	07003-00277	07003-00369	07003-00369
17	Jaw Spreader Housing 'T'	71210-20321	71220-20321	71220-20321
18	Detent Sleeve	71210-20322	71220-20322	71220-20322

* Nose Equipment Cartridge comprising Items 10 to 18

Genesis® Quick Release Nose Equipment

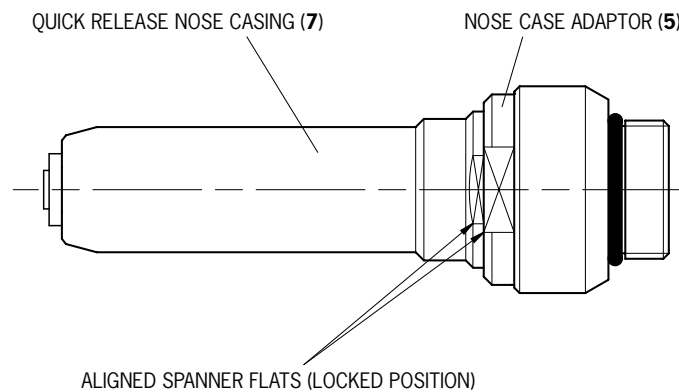
To Prepare Base Tool to Accept Quick Release Nose Equipment

(Refer to the relevant Genesis® Tool Instruction Manual.)

- For nG3/4, G3/4 and G2/G2s tools remove Jaw Spreader Housing 71210-02101.
- For nG1, nG2 and nG2s tools remove 'T' Adaptor 71213-02020.
- Replace above part with 'T' Adaptor (item **6**). **Note:** For nG3/4 tools 'T' Adaptor (item **6**) is assembled through Nose Case Adaptor Assembly (items **2, 3, 4, 5** and **8**).
- Screw the Nose Case Adaptor Assembly (items **2, 3, 4, 5** and **8**) into the front of the tool.
- The Nose Equipment Cartridge (item **9**) is assembled onto the 'T' Adaptor (item **6**) by sliding in a plane normal to the Piston.
- Push the Quick Release Nose Casing (item **7**) into the Nose Case Adaptor (item **5**) ensuring flats are aligned, this locks the Quick Release Nose Casing into position.

To Remove the Quick Release Nose Equipment

- Rotate the Quick Release Nose Casing (item **7**) through 90 degrees and pull out of the Nose Case Adaptor (item **5**).
- To release the Nose Equipment Cartridge (item **9**) from 'T' Adaptor (item **6**) slide cartridge in a plane normal to the head Piston.



Item numbers in **bold** refer to the Parts List on the front page.



Notes



Since 1922



Avdel® iForm™

Since 1936

2010



Our Technology, Your Success

AUSTRALIA

Infastech (Australia) Pty Ltd.

891 Wellington Road
Rowville
Victoria 3178
Tel: +61 3 9765 6400
Fax: +61 3 9765 6445
info@infastech.com.au

CANADA

Avdel Canada Limited

1030 Lorimar Drive
Mississauga
Ontario L5S 1R8
Tel: +1 905 364 0664
Fax: +1 905 364 0678
infoAvdel-Canada@infastech.com

CHINA

Infastech (China) Ltd.

RM 1708, 17/F., Nanyang Plaza,
57 Hung To Rd., Kwun Tong
Hong Kong
Tel: +852 2950 0631
Fax: +852 2950 0022
infochina@infastech.com

FRANCE

Avdel France S.A.S.

33 bis, rue des Ardennes
BP4
75921 Paris Cedex 19
Tel: +33 (0) 1 4040 8000
Fax: +33 (0) 1 4208 2450
AvdelFrance@infastech.com

GERMANY

Avdel Deutschland GmbH

Klusriede 24
30851 Langenhagen
Tel: +49 (0) 511 7288 0
Fax: +49 (0) 511 7288 133
AvdelDeutschland@infastech.com

INDIA

Infastech Fastening Technologies

India Private Limited

Plot No OZ-14, Hi Tech SEZ,
SIPCOT Industrial Growth Center,
Oragadam, Sriperumbudur Taluk,
Kanchipuram District,
602105 Tamilnadu
Tel: +91 44 4711 8001
Fax: +91 44 4711 8009
info-in@infastech.com

ITALY

Avdel Italia S.r.l.

Viale Lombardia 51/53
20047 Brugherio (MI)
Tel: +39 039 289911
Fax: +39 039 2873079
vendite@infastech.com

JAPAN

Infastech Kabushiki Kaisha

Center Minami SKY,
3-1 Chigasaki-Chuo, Tsuzuki-ku,
Yokohama-city,
Kanagawa Prefecture
Japan 224-0032
Tel: +81 45 947 1200
Fax: +81 45 947 1205
info@infastech.co.jp

MALAYSIA

Infastech (Malaysia) Sdn Bhd

Lot 63, Persiaran Bunga Tanjung 1,
Senawang Industrial Park
70400 Seremban
Negeri Sembilan
Tel: +606 676 7168
Fax: +606 676 7101
info-my@infastech.com

SINGAPORE

Infastech (Singapore) Pte Ltd.

31 Kaki Bukit Road 3
#05-03/06 Techlink
Singapore, 417818
Tel: +65 6372 5653
Fax: +65 6744 5643
info-sg@infastech.com

SOUTH KOREA

Infastech (Korea) Ltd.

212-4, Suyang-Ri,
Silchon-Eup, Kwangju-City,
Kyunggi-Do, Korea, 464-874
Tel: +82 31 798 6340
Fax: +82 31 798 6342
info@infastech.co.kr

SPAIN

Avdel Spain S.A.

C/ Puerto de la Morcuera, 14
Poligono Industrial Prado Overa
Ctra. de Toledo, km 7,8
28919 Leganés (Madrid)
Tel: +34 91 3416767
Fax: +34 91 3416740
ventas@infastech.com

TAIWAN

Infastech/Tri-Star Limited

No 269-7, Baodong Rd,
Guanmiao Township,
71841 Tainan County,
Taiwan, R.O.C
Tel: +886 6 596 5798 (ext 201)
Fax: +886 6 596 5758
info-tw@infastech.com

UNITED KINGDOM

Avdel UK Limited

Pacific House
2 Swiftfields
Watchmead Industrial Estate
Welwyn Garden City
Hertfordshire AL7 1LY
Tel: +44 (0) 1707 292000
Fax: +44 (0) 1707 292199
enquiries@infastech.com

USA

Avdel USA LLC

614 NC Highway 200 South
Stanfield, North Carolina 28163
Tel: +1 704 888 7100
Fax: +1 704 888 0258
infoAvdel-USA@infastech.com

Data Sheet No	Issue	Change Note No.
07900-00798	A3	08/198
	B	11/019

www.avdel-global.com
www.infastech.com

Autosert® (equipment), Avbolt®, Avdel®, Avdelmate®, Avdel TX2000®, Avdelok®, Avex®, Avibulb®, Avinox®, Avinut™, Avlug®, Avmatic®, Avplas®, Avseal®, Avsert®, Avtainer®, Avtronic®, Briv®, Bulbex®, Chobert®, Eurosert®, Fastriv®, Finsert®, Genesis®, Grovit®, Hemlok®, Hexsert®, Holding your world together®, Hydra®, Interlock®, Klamp-Tite®, KlampTite KTR®, Kvex®, Maxlok®, Monobolt®, Monobulb®, Neobolt®, Nutsert®, Nutsert SQ®, Portariv®, Rivmatic®, Rivscrew®, Speed Fastening®, Squaresert®, Stavex®, Supersert®, Thin Sheet Nutsert®, Titan®, T-Lok®, TLR®, TSN®, TX2000®, Versa-Nut®, Viking® and Viking 360® are trademarks of Avdel UK Limited. Infastech™ and Our Technology, Your Success™ are trademarks of Infastech Intellectual Properties Pte Ltd. The names and logos of other companies mentioned herein may be trademarks of their respective owners. This document is for informational purposes only. Infastech makes no warranties, expressed or implied, in this document. Data shown is subject to change without prior notice as a result of continuous product development and improvement policy. Your local Avdel representative is at your disposal should you need to confirm latest information.