

Genesis®

Pikairrotus-suukappaleet

PIKAIRROTUS-SUUTINSARJAT:

71210-20310- sarjassa leuat 71210-15001

(G2-työkalutyypit)

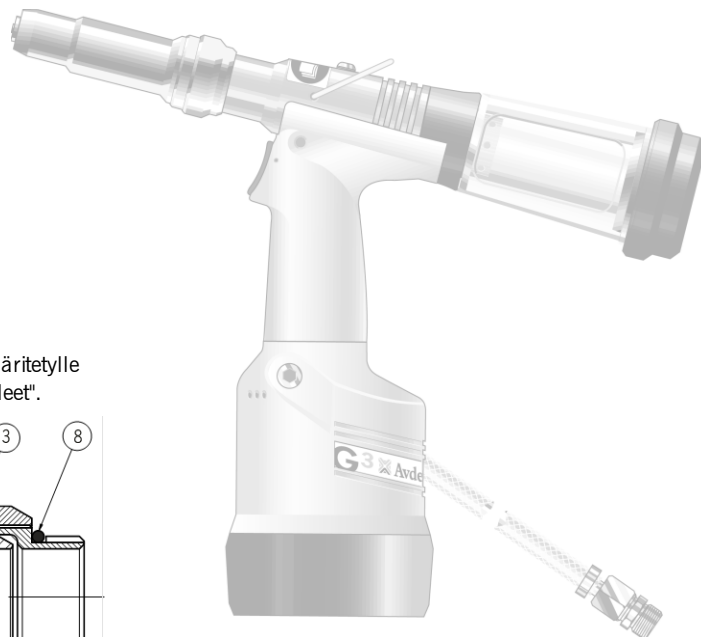
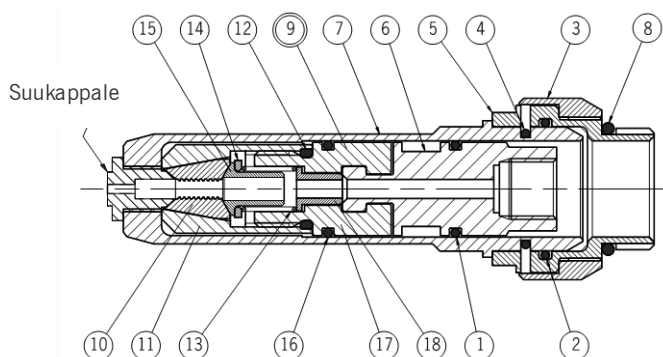
71220-20310- sarjassa leuat 71210-15001

(G3/4-työkalutyypit)

71220-20350- sarjassa leuat 07612-02002

(G3/4-työkalutyypit)

Huomautus: Katso leukatyyppi ja sopiva suukappale määritylle
niitille työkalun käyttöohjeesta "Suukappaleet".



		GENESIS® -TYÖKALUTYYPPI		
KOHTA	KUVAUS	nG1/nG2/nG2s G2/G2s/G2HD	nG3/nG4 G3/G4/G3HD/G4HD	nG3/nG4 G3/G4/G3HD/G4HD
	PIKAIRROTUS-SUUTINSARJA	71210-20310	71220-20310	71220-20350
1	O-renkas	07003-00277	07003-00369	07003-00369
2	O-renkas	07003-00342	07003-00368	07003-00368
3	Jousen suojuus	71210-20311	71220-20311	71220-20311
4	U-jousi	7121020312	71220-20312	71220-20312
5	Suutinpesän sovitin	71210-20313	71220-20313	71220-20313
6	T-sovitin	71210-20314	71220-20314	71220-20314
7	Pikairrotus-suutinpesä	71210-20316	71220-20316	71220-20316
8	O-renkas	07003-00349	07003-00349	07003-00349
9	*Suukappaleyksikkö	71210-20320	71220-20320	71220-20360
10	Leukasarja	71210-15001	71210-15001	07612-02002
11	Leukakotelo	07340-00304	07340-00304	07612-02003
12	Lukkorengas	07340-00327	07340-00327	07340-00327
13	Jousi	07500-00418	07500-00418	07500-00418
14	Välilevy	71210-05001	71210-05001	71210-05001
15	Leuanlevitin	07498-04502	07498-04502	07498-04502
16	O-renkas	07003-00277	07003-00369	07003-00369
17	Leuanlevittimen kotelo T	71210-20321	71220-20321	71220-20321
18	Lukkoholkki	71210-20322	71220-20322	71220-20322

* Suukappaleyksikkö sisältää kohdat 10 - 18

Genesis®-pikairrotus-suukappaleet

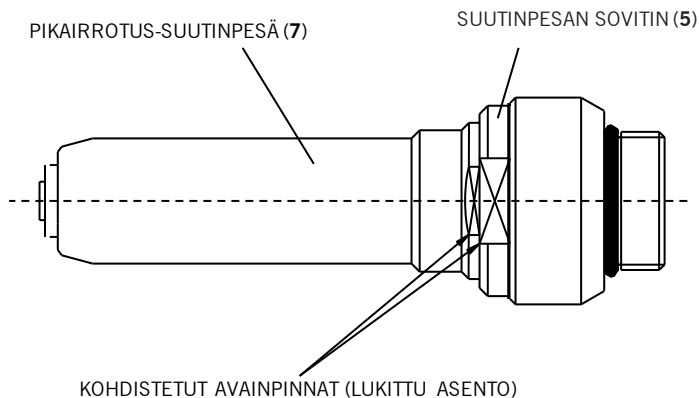
Perustyökalun valmistelu pikairrotus-suukappaleiden asennusta varten

(Katso kyseessä oleva Genesis®-työkalun käyttöohje.)

- nG3/4-, G3/4- ja G2/G2s-työkalut: irrota leuanlevittimen kotelo 71210-02101.
- nG1-, nG2- ja nG2s-työkalut: irrota T-sovitin 71213-02020.
- Vaihda yllä mainitun osan tilalle T-sovitin (kohta **6**). **Huomautus:** nG3/4-työkalut: T-sovitin (kohta **6**) asennetaan suutinpesän sovitinkokoonpanon (kohdat **2, 3, 4, 5** ja **8**) avulla.
- Kierrä suutinpesän sovitinkokoonpano (kohdat **2, 3, 4, 5** ja **8**) kiinni työkalun etupäähän.
- Suukappaleyksikkö (kohta **9**) asennetaan T-sovittimeen (kohta **6**) liu'uttamalla yksikköä männän normaalissa tasossa.
- Paina pikairrotus-suutinpesä (kohta **7**) suutinpesän sovittimeen (kohta **5**) ja tarkasta, että pinnat ovat kohdakkain. Tämä lukitsee pikairrotussuutinpesän paikalleen.

Pikairrotus-suukappaleiden irrotus

- Käännä pikairrotus-suutinpesää (kohta **7**) 90 astetta ja vedä se ulos suutinpesän sovitimesta (kohta **5**).
- Irrota suukappaleyksikkö (kohta **9**) T-sovitimesta (kohta **6**) liu'uttamalla yksikköä männänpäähän normaalissa tasossa.



Lihavoidut numerot viittaavat etusivulla olevaan osaluetteloon.

AUSTRALIA

Infastech (Australia) Pty Ltd.

891 Wellington Road
 Rowville
 Victoria 3178
 Tel: +61 3 9765 6400
 Fax: +61 3 9765 6445
 info@infastech.com.au

KANADA

Avdel Canada Limited

1030 Lorimar Drive
 Mississauga
 Ontario L5S 1R8
 Tel: +1 905 364 0664
 Fax: +1 905 364 0678
 infoAvdel-Canada@infastech.com

KIINA

Infastech (China) Ltd.

RM 1708, 17/F., Nanyang Plaza,
 57 Hung To Rd., Kwun Tong
 Hong Kong
 Tel: +852 2950 0631
 Fax: +852 2950 0022
 infochina@infastech.com

RANSKA

Avdel France S.A.S.

33 bis, rue des Ardennes
 BP4
 75921 Paris Cedex 19
 Tel: +33 (0) 1 4040 8000
 Fax: +33 (0) 1 4208 2450
 AvdelFrance@infastech.com

SAKSA

Avdel Deutschland GmbH

Klusriede 24
 30851 Langenhagen
 Tel: +49 (0) 511 7288 0
 Fax: +49 (0) 511 7288 133
 AvdelDeutschland@infastech.com

INTIA

Infastech Fastening Technologies

India Private Limited

Plot No OZ-14, Hi Tech SEZ,
 SIPCOT Industrial Growth Center,
 Oragadam, Sriperumbudur Taluk,
 Kanchipuram District,
 602105 Tamilnadu
 Tel: +91 44 4711 8001
 Fax: +91 44 4711 8009
 info-in@infastech.com

ITALIA

Avdel Italia S.r.l.

Viale Lombardia 51/53
 20047 Brugherio (MI)
 Tel: +39 039 289911
 Fax: +39 039 2873079
 vendite@infastech.com

JAPANI

Infastech Kabushiki Kaisha

Center Minami SKY,
 3-1 Chigasaki-Chuo, Tsuzuki-ku,
 Yokohama-city,
 Kanagawa Prefecture
 Japan 224-0032
 Tel: +81 45 947 1200
 Fax: +81 45 947 1205
 info@infastech.co.jp

MALESIA

Infastech (Malaysia) Sdn Bhd

Lot 63, Persiaran Bunga Tanjung 1,
 Senawang Industrial Park
 70400 Seremban
 Negeri Sembilan
 Tel: +606 676 7168
 Fax: +606 676 7101
 info-my@infastech.com

SINGAPORE

Infastech (Singapore) Pte Ltd.

31 Kaki Bukit Road 3
 #05-03/06 Techlink
 Singapore, 417818
 Tel: +65 6372 5653
 Fax: +65 6744 5643
 info-sg@infastech.com

ETELÄ-KOREA

Infastech (Korea) Ltd.

212-4, Suyang-Ri,
 Silchon-Eup, Kwangju-City,
 Kyunggi-Do, Korea, 464-874
 Tel: +82 31 798 6340
 Fax: +82 31 798 6342
 info@infastech.co.kr

ESPANJA

Avdel Spain S.A.

C/ Puerto de la Morcuera, 14
 Poligono Industrial Prado Overa
 Ctra. de Toledo, km 7,8
 28919 Leganés (Madrid)
 Tel: +34 91 3416767
 Fax: +34 91 3416740
 ventas@infastech.com

TAIWAN

Infastech/Tri-Star Limited

No 269-7, Baodong Rd,
 Guanmiao Township,
 71841 Tainan County,
 Taiwan, R.O.C
 Tel: +886 6 596 5798 (ext 201)
 Fax: +886 6 596 5758
 info-tw@infastech.com

YHDISTYNYT KUNINGASKUNTA

Avdel UK Limited

Pacific House
 2 Swiftfields
 Watchmead Industrial Estate
 Welwyn Garden City
 Hertfordshire AL7 1LY
 Tel: +44 (0) 1707 292000
 Fax: +44 (0) 1707 292199
 enquiries@infastech.com

YHDYSVALLAT

Avdel USA LLC

614 NC Highway 200 South
 Stanfield, North Carolina 28163
 Tel: +1 704 888 7100
 Fax: +1 704 888 0258
 infoAvdel-USA@infastech.com

Manual No.	Issue	Change Note No.
07900-00798	A	07/044
	A2	07/103
	B	11/019

www.avdel-global.com
www.infastech.com

Autosert® (equipment), Avbolt®, Avdel®, Avdelmate®, Avdel TX2000®, Avdelok®, Avex®, Avibulb®, Avinox®, Avinut™, Avlug®, Avmatic®, Avplas®, Avseal®, Avsert®, Avtainer®, Avtronic®, Briv®, Bulbex®, Chobert®, Eurosert®, Fastriv®, Finsert®, Genesis®, Grovit®, Hemlok®, Hexsert®, Holding your world together®, Hydra®, Interlock®, Klamp-Tite®, KlampTite KTR®, Kvex®, Maxlok®, Monobolt®, Monobulb®, Neobolt®, Nutsert®, Nutsert SQ®, Portariv®, Rivmatic®, Rivscrew®, Speed Fastening®, Squaresert®, Stavex®, Supersert®, Thin Sheet Nutsert®, Titan®, T-Lok®, TLR®, TSN®, TX2000®, Versa-Nut®, Viking® ja Viking 360® ovat Avdel UK Limitedin tuotemerkkejä. Infastech™ ja Our Technology, Your Success™ ovat Infastech Intellectual Properties Pte Ltd:n tuotemerkkejä. Tässä mainitut muiden yritysten nimet ja logot saattavat olla kunkin omistajansa tuotemerkkejä. Tämä asiakirja on tarkoitettu vain tiedotustarkoituksiin. Infastech ei myönnä tälle asiakirjalle minkäänlaista takuuta, ilmaistut ja oletetut takuut mukaan lukien. Esitettyjä tietoja voidaan muuttaa ilman ennakoilmoitusta, koska tuotetta kehitetään ja parannetaan jatkuvasti. Ota yhteys paikalliseen Avdel-jälleenmyyjään, jos haluat varmistaa uusimmat tiedot.

Genesis®

Quick Release Nose Equipment

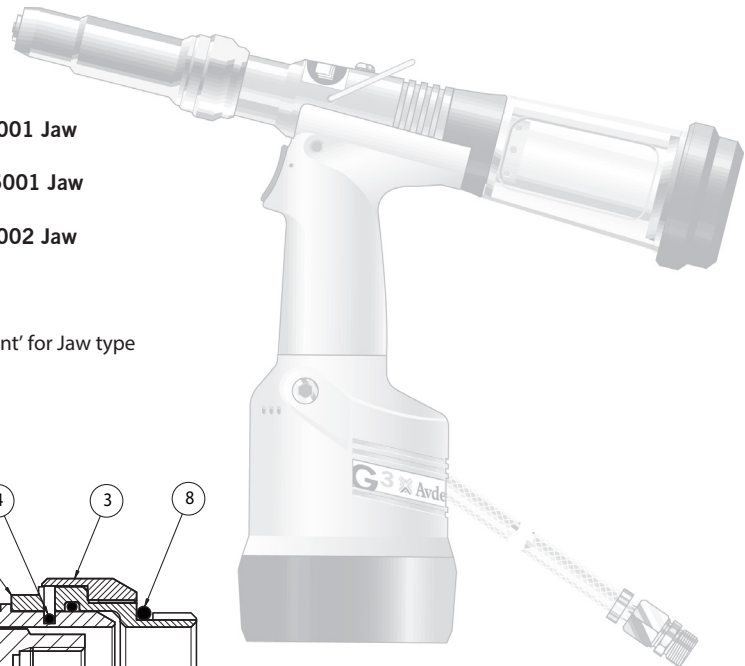
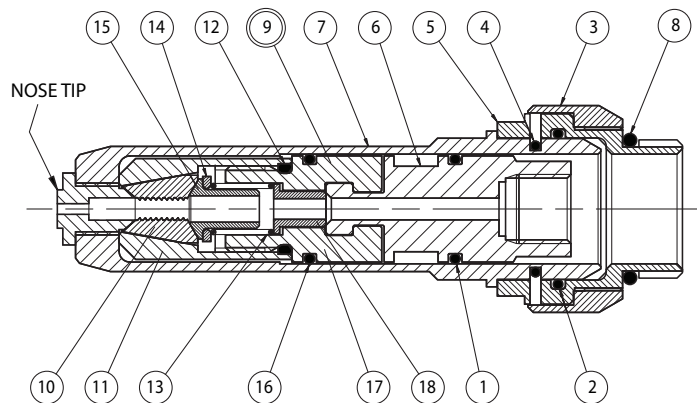
QUICK RELEASE NOSE ASSEMBLIES:

71210-20310 - Assembly incorporating 71210-15001 Jaw
(for G2 tool types)

71220-20310 - Assembly incorporating 71210-15001 Jaw
(for G3/4 tool types)

71220-20350 - Assembly incorporating 07612-02002 Jaw
(for G3/4 tool types)

Note: Refer to tool Instruction Manual 'Nose Equipment' for Jaw type and appropriate Nose Tip for specified fastener.



		GENESIS® TOOL TYPE		
		nG1/nG2/nG2s G2/ G2s/ G2HD	nG3/nG4 G3/ G4/ G3HD/ G4HD	nG3/nG4 G3/ G4/ G3HD/ G4HD
	QUICK RELEASE NOSE ASSEMBLY	71210-20310	71220-20310	71220-20350
1	'O' Ring	07003-00277	07003-00369	07003-00369
2	'O' Ring	07003-00342	07003-00368	07003-00368
3	Spring Cover	71210-20311	71220-20311	71220-20311
4	'U' Spring	71210-20312	71220-20312	71220-20312
5	Nose Case Adaptor	71210-20313	71220-20313	71220-20313
6	'T' Adaptor	71210-20314	71220-20314	71220-20314
7	Quick Release Nose Casing	71210-20316	71220-20316	71220-20316
8	'O' Ring	07003-00349	07003-00349	07003-00349
9	* Nose Equipment Cartridge	71210-20320	71220-20320	71220-20360
10	Jaw Set	71210-15001	71210-15001	07612-02002
11	Jaw Housing	07340-00304	07340-00304	07612-02003
12	Locking Ring	07340-00327	07340-00327	07340-00327
13	Spring	07500-00418	07500-00418	07500-00418
14	Buffer	71210-05001	71210-05001	71210-05001
15	Jaw Spreader	07498-04502	07498-04502	07498-04502
16	'O' Ring	07003-00277	07003-00369	07003-00369
17	Jaw Spreader Housing 'T'	71210-20321	71220-20321	71220-20321
18	Detent Sleeve	71210-20322	71220-20322	71220-20322

* Nose Equipment Cartridge comprising Items 10 to 18

Genesis® Quick Release Nose Equipment

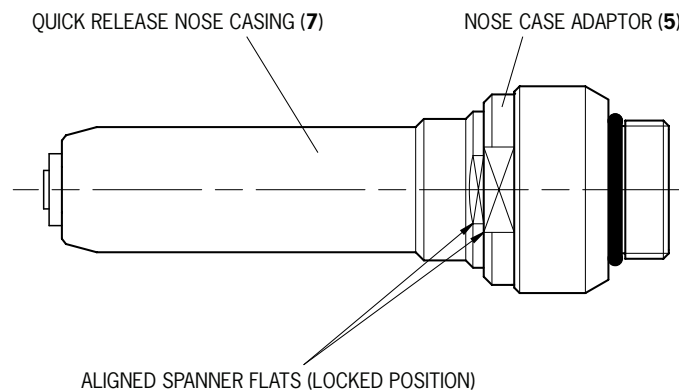
To Prepare Base Tool to Accept Quick Release Nose Equipment

(Refer to the relevant Genesis® Tool Instruction Manual.)

- For nG3/4, G3/4 and G2/G2s tools remove Jaw Spreader Housing 71210-02101.
- For nG1, nG2 and nG2s tools remove 'T' Adaptor 71213-02020.
- Replace above part with 'T' Adaptor (item **6**). **Note:** For nG3/4 tools 'T' Adaptor (item **6**) is assembled through Nose Case Adaptor Assembly (items **2, 3, 4, 5** and **8**).
- Screw the Nose Case Adaptor Assembly (items **2, 3, 4, 5** and **8**) into the front of the tool.
- The Nose Equipment Cartridge (item **9**) is assembled onto the 'T' Adaptor (item **6**) by sliding in a plane normal to the Piston.
- Push the Quick Release Nose Casing (item **7**) into the Nose Case Adaptor (item **5**) ensuring flats are aligned, this locks the Quick Release Nose Casing into position.

To Remove the Quick Release Nose Equipment

- Rotate the Quick Release Nose Casing (item **7**) through 90 degrees and pull out of the Nose Case Adaptor (item **5**).
- To release the Nose Equipment Cartridge (item **9**) from 'T' Adaptor (item **6**) slide cartridge in a plane normal to the head Piston.



Item numbers in **bold** refer to the Parts List on the front page.



Notes



Since 1922



Avdel® iForm™

Since 1936

2010



Our Technology, Your Success

AUSTRALIA

Infastech (Australia) Pty Ltd.

891 Wellington Road
Rowville
Victoria 3178
Tel: +61 3 9765 6400
Fax: +61 3 9765 6445
info@infastech.com.au

CANADA

Avdel Canada Limited

1030 Lorimar Drive
Mississauga
Ontario L5S 1R8
Tel: +1 905 364 0664
Fax: +1 905 364 0678
infoAvdel-Canada@infastech.com

CHINA

Infastech (China) Ltd.

RM 1708, 17/F., Nanyang Plaza,
57 Hung To Rd., Kwun Tong
Hong Kong
Tel: +852 2950 0631
Fax: +852 2950 0022
infochina@infastech.com

FRANCE

Avdel France S.A.S.

33 bis, rue des Ardennes
BP4
75921 Paris Cedex 19
Tel: +33 (0) 1 4040 8000
Fax: +33 (0) 1 4208 2450
AvdelFrance@infastech.com

GERMANY

Avdel Deutschland GmbH

Klusriede 24
30851 Langenhagen
Tel: +49 (0) 511 7288 0
Fax: +49 (0) 511 7288 133
AvdelDeutschland@infastech.com

INDIA

Infastech Fastening Technologies

India Private Limited

Plot No OZ-14, Hi Tech SEZ,
SIPCOT Industrial Growth Center,
Oragadam, Sriperumbudur Taluk,
Kanchipuram District,
602105 Tamilnadu
Tel: +91 44 4711 8001
Fax: +91 44 4711 8009
info-in@infastech.com

ITALY

Avdel Italia S.r.l.

Viale Lombardia 51/53
20047 Brugherio (MI)
Tel: +39 039 289911
Fax: +39 039 2873079
vendite@infastech.com

JAPAN

Infastech Kabushiki Kaisha

Center Minami SKY,
3-1 Chigasaki-Chuo, Tsuzuki-ku,
Yokohama-city,
Kanagawa Prefecture
Japan 224-0032
Tel: +81 45 947 1200
Fax: +81 45 947 1205
info@infastech.co.jp

MALAYSIA

Infastech (Malaysia) Sdn Bhd

Lot 63, Persiaran Bunga Tanjung 1,
Senawang Industrial Park
70400 Seremban
Negeri Sembilan
Tel: +606 676 7168
Fax: +606 676 7101
info-my@infastech.com

SINGAPORE

Infastech (Singapore) Pte Ltd.

31 Kaki Bukit Road 3
#05-03/06 Techlink
Singapore, 417818
Tel: +65 6372 5653
Fax: +65 6744 5643
info-sg@infastech.com

SOUTH KOREA

Infastech (Korea) Ltd.

212-4, Suyang-Ri,
Silchon-Eup, Kwangju-City,
Kyunggi-Do, Korea, 464-874
Tel: +82 31 798 6340
Fax: +82 31 798 6342
info@infastech.co.kr

SPAIN

Avdel Spain S.A.

C/ Puerto de la Morcuera, 14
Poligono Industrial Prado Overa
Ctra. de Toledo, km 7,8
28919 Leganés (Madrid)
Tel: +34 91 3416767
Fax: +34 91 3416740
ventas@infastech.com

TAIWAN

Infastech/Tri-Star Limited

No 269-7, Baodong Rd,
Guanmiao Township,
71841 Tainan County,
Taiwan, R.O.C
Tel: +886 6 596 5798 (ext 201)
Fax: +886 6 596 5758
info-tw@infastech.com

UNITED KINGDOM

Avdel UK Limited

Pacific House
2 Swiftfields
Watchmead Industrial Estate
Welwyn Garden City
Hertfordshire AL7 1LY
Tel: +44 (0) 1707 292000
Fax: +44 (0) 1707 292199
enquiries@infastech.com

USA

Avdel USA LLC

614 NC Highway 200 South
Stanfield, North Carolina 28163
Tel: +1 704 888 7100
Fax: +1 704 888 0258
infoAvdel-USA@infastech.com

Data Sheet No	Issue	Change Note No.
07900-00798	A3	08/198
	B	11/019

www.avdel-global.com
www.infastech.com

Autosert® (equipment), Avbolt®, Avdel®, Avdelmate®, Avdel TX2000®, Avdelok®, Avex®, Avibulb®, Avinox®, Avinut™, Avlug®, Avmatic®, Avplas®, Avseal®, Avsert®, Avtainer®, Avtronic®, Briv®, Bulbex®, Chobert®, Eurosert®, Fastriv®, Finsert®, Genesis®, Grovit®, Hemlok®, Hexsert®, Holding your world together®, Hydra®, Interlock®, Klamp-Tite®, KlampTite KTR®, Kvex®, Maxlok®, Monobolt®, Monobulb®, Neobolt®, Nutsert®, Nutsert SQ®, Portariv®, Rivmatic®, Rivscrew®, Speed Fastening®, Squaresert®, Stavex®, Supersert®, Thin Sheet Nutsert®, Titan®, T-Lok®, TLR®, TSN®, TX2000®, Versa-Nut®, Viking® and Viking 360® are trademarks of Avdel UK Limited. Infastech™ and Our Technology, Your Success™ are trademarks of Infastech Intellectual Properties Pte Ltd. The names and logos of other companies mentioned herein may be trademarks of their respective owners. This document is for informational purposes only. Infastech makes no warranties, expressed or implied, in this document. Data shown is subject to change without prior notice as a result of continuous product development and improvement policy. Your local Avdel representative is at your disposal should you need to confirm latest information.