

# Genesis® Right Angle and Straight Swivel Head Fitting Instructions

## To Prepare Base Tools to Accept Swivel Head Equipment

Refer to the assembly illustration in the appropriate tool manual - nG1, nG2, nG2s, nG3, G2, G2s or G3.

Item numbers in **bold** refer to the parts list and illustration below.

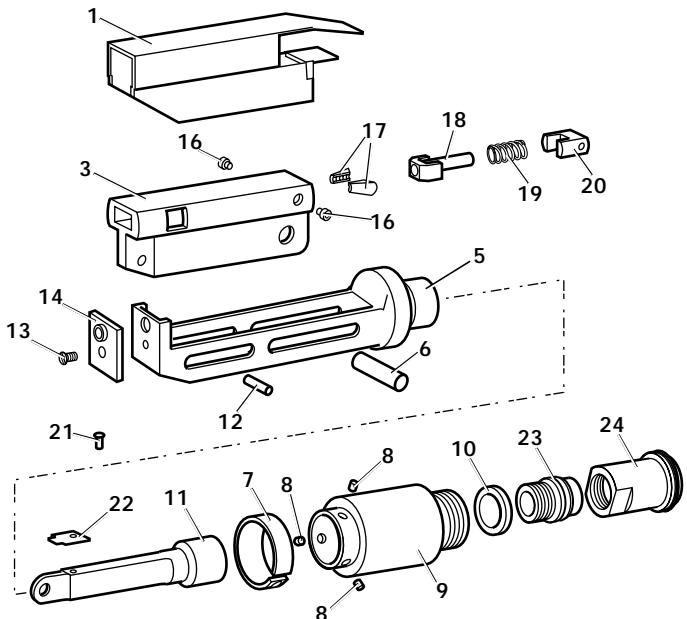
1. Unscrew 'T' Adaptor 71213-02020 (Jaw Spreader Housing **23** for G2, G2s, G3 and nG3).  
Remove Locknut 71210-02105 and Seal Housing 71210-02104.
2. Screw Stop Nut Assembly **24** fully onto the piston by hand (supplied in the Swivel Head Kit).  
Fit Jaw Spreader Housing **23** (supplied in the Swivel Head Kit for nG1, nG2 and nG2s) screw fully onto the piston before tightening Stop Nut Assembly **24** against it.
3. Remove the Stem Collector Bottle Assembly and replace it with Safety Cap **25\***.  
For Genesis® nG tools fitted with the Quick Release Collector Bottle, fit Safety Cap Q/R **26\***.
4. When Swivel Head equipment is fitted to the Genesis® nG2 or nG3 tool, the 'Tool Cycle Counter' will not operate. To reactivate the 'Tool Cycle Counter' it is necessary to replace the two Sealing Washers 71221-02006 as follows:  
For nG2 fit replacement Spacers 71213-02032 (2 off).  
For nG3 fit replacement Spacers 71223-02032 (2 off).  
Refer to the tool manual 'Pneumatic Piston Assembly' for the dismantling instructions.  
**Note:** The tool will need to be reprimed if replacements for Sealing Washers are fitted, for repriming refer to the tool manual.

## Fitting the Straight Swivel Head Assembly

- Remove Guard **1**, Screw **21** and Platform **22**.
- Remove Pivot Pin **6** and Spindle **11**.
- Fit Locking Ring **10** over the Jaw Spreader Housing **23**.
- Screw Spindle **11** onto the Jaw Spreader Housing **23**, leaving the small screw fixing hole uppermost. Tighten gently with a tommy bar.
- Screw the assembly over Spindle **11** onto the front of the tool head casting. Replace Pivot Pin **6**.
- Attach Platform **22** onto the top of Spindle **11** with Screw **21**.
- Snap Guard **1** over the assembly.

PARTS LIST - STRAIGHT SWIVEL HEAD		
ITEM	DESCRIPTION	STRAIGHT SWIVEL
<b>1</b>	Guard	07494-05000
<b>3</b>	Jaw Carrier	07494-03026
<b>5</b>	Body	07494-03015
<b>6</b>	Pivot Pin	07343-02207
<b>7</b>	Spring Clip	07495-03900
<b>8</b>	Roller	07007-00039
<b>9</b>	Adaptor	07345-03001
<b>10</b>	Locking Ring	07345-03003
<b>11</b>	Spindle	07345-03002
<b>12</b>	Dowel Pin	07007-00038
<b>13</b>	Screw	07342-02207
<b>14</b>	Nose Tip	See Manual
<b>16</b>	Screw	07494-03028
<b>17</b>	Jaws	See Manual
<b>18</b>	Jaw Spreader	07346-03101
<b>19</b>	Spring	07165-00305
<b>20</b>	Spring Guide	07494-03027
<b>21</b>	Screw	07001-00368
<b>22</b>	Platform	07345-00401
<b>23</b>	Jaw Spreader Housing	71210-02101
<b>24</b>	Stop Nut Assembly	71213-20200
<b>25*</b>	Safety Cap	71210-20201
<b>26*</b>	Safety Cap Q/R	71213-20201

\* Items not shown



**Note:** Nose tips and jaws (**14** and **17**) vary to suit specific fasteners.

**For complete assembly part numbers, including nose tips and jaws, refer to tool manual.**

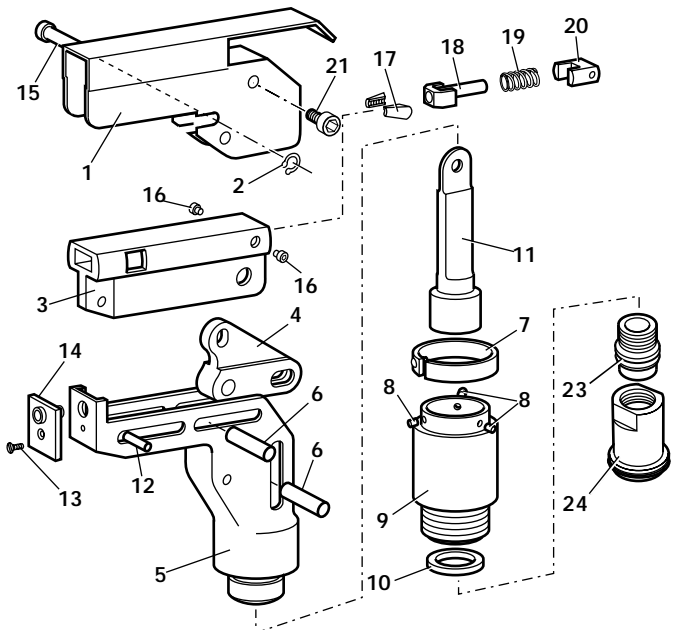
## Fitting the Right Angle Swivel Head Assembly

Item numbers in **bold** refer to the parts list and illustration below.

Prepare the base tool as per the instructions 1, 2, 3 and 4 on the front page.

- Remove Screw **21** (4 off).
- Slide Guard **1** from Body **5**.
- Remove Pivot Pin **6** that secures Spindle **11** to Body **5**. Remove Spindle **11**.
- Screw Spindle **11** onto the Jaw Spreader Housing **23**. Tighten gently with a tommy bar.
- Screw the assembly over Spindle **11** onto the front of the tool head casting. Replace Pivot Pin **6**.
- Slide Guard **1** over the assembly, carefully sliding the cut out slots around the head of Pivot Pin **15** and under Circlip **2**.
- Secure Guard **1** with Screw **21** (4 off).

PARTS LIST - RIGHT ANGLE SWIVEL HEAD		
ITEM	DESCRIPTION	RIGHT ANGLE SWIVEL
<b>1</b>	Guard	07495-03003
<b>2</b>	Circlip	07004-00105
<b>3</b>	Jaw Carrier	07494-03026
<b>4</b>	Lever	07495-03004
<b>5</b>	Body	07495-03002
<b>6</b>	Pivot Pin	07343-02207
<b>7</b>	Spring Clip	07495-03900
<b>8</b>	Roller	07007-00039
<b>9</b>	Adaptor	07345-03001
<b>10</b>	Locking Ring	07345-03003
<b>11</b>	Spindle	07345-03002
<b>12</b>	Dowel Pin	07007-00038
<b>13</b>	Screw	07342-02207
<b>14</b>	Nose Tip	See Manual
<b>15</b>	Pivot Pin	07346-03102
<b>16</b>	Screw	07494-03028
<b>17</b>	Jaws	See Manual
<b>18</b>	Jaw Spreader	07346-03101
<b>19</b>	Spring	07165-00305
<b>20</b>	Spring Guide	07494-03027
<b>21</b>	Screw	07210-00804
<b>23</b>	Jaw Spreader Housing	71210-02101
<b>24</b>	Stop Nut Assembly	71213-20200
<b>25*</b>	End Cap	71210-20201
<b>26*</b>	End Cap Q/R	71213-20201



\* Items not shown

**Note:** Nose tips and jaws (**14** and **17**) vary to suit specific fasteners.

**For complete assembly part numbers, including nose tips and jaws, refer to tool manual.**





Since 1922

**Avdel® iForm™**

Since 1936

2010



Our Technology, Your Success

**AUSTRALIA**

**Infastech (Australia) Pty Ltd.**

891 Wellington Road  
Rowville  
Victoria 3178  
Tel: +61 3 9765 6400  
Fax: +61 3 9765 6445  
info@infastech.com.au

**CANADA**

**Avdel Canada Limited**

1030 Lorimar Drive  
Mississauga  
Ontario L5S 1R8  
Tel: +1 905 364 0664  
Fax: +1 905 364 0678  
infoAvdel-Canada@infastech.com

**CHINA**

**Infastech (China) Ltd.**

RM 1708, 17/F., Nanyang Plaza,  
57 Hung To Rd., Kwun Tong  
Hong Kong  
Tel: +852 2950 0631  
Fax: +852 2950 0022  
infochina@infastech.com

**FRANCE**

**Avdel France S.A.S.**

33 bis, rue des Ardennes  
BP4  
75921 Paris Cedex 19  
Tel: +33 (0) 1 4040 8000  
Fax: +33 (0) 1 4208 2450  
AvdelFrance@infastech.com

**GERMANY**

**Avdel Deutschland GmbH**

Klusriede 24  
30851 Langenhagen  
Tel: +49 (0) 511 7288 0  
Fax: +49 (0) 511 7288 133  
AvdelDeutschland@infastech.com

**INDIA**

**Infastech Fastening Technologies**

**India Private Limited**

Plot No OZ-14, Hi Tech SEZ,  
SIPCOT Industrial Growth Center,  
Oragadam, Sriperumbudur Taluk,  
Kanchipuram District,  
602105 Tamilnadu  
Tel: +91 44 4711 8001  
Fax: +91 44 4711 8009  
info-in@infastech.com

**ITALY**

**Avdel Italia S.r.l.**

Viale Lombardia 51/53  
20047 Brugherio (MI)  
Tel: +39 039 289911  
Fax: +39 039 2873079  
vendite@infastech.com

**JAPAN**

**Infastech Kabushiki Kaisha**

Center Minami SKY,  
3-1 Chigasaki-Chuo, Tsuzuki-ku,  
Yokohama-city,  
Kanagawa Prefecture  
Japan 224-0032  
Tel: +81 45 947 1200  
Fax: +81 45 947 1205  
info@infastech.co.jp

**MALAYSIA**

**Infastech (Malaysia) Sdn Bhd**

Lot 63, Persiaran Bunga Tanjung 1,  
Senawang Industrial Park  
70400 Seremban  
Negeri Sembilan  
Tel: +606 676 7168  
Fax: +606 676 7101  
info-my@infastech.com

**SINGAPORE**

**Infastech (Singapore) Pte Ltd.**

31 Kaki Bukit Road 3  
#05-03/06 Techlink  
Singapore, 417818  
Tel: +65 6372 5653  
Fax: +65 6744 5643  
info-sg@infastech.com

**SOUTH KOREA**

**Infastech (Korea) Ltd.**

212-4, Suyang-Ri,  
Silchon-Eup, Kwangju-City,  
Kyunggi-Do, Korea, 464-874  
Tel: +82 31 798 6340  
Fax: +82 31 798 6342  
info@infastech.co.kr

**SPAIN**

**Avdel Spain S.A.**

C/ Puerto de la Morcuera, 14  
Poligono Industrial Prado Overa  
Ctra. de Toledo, km 7,8  
28919 Leganés (Madrid)  
Tel: +34 91 3416767  
Fax: +34 91 3416740  
ventas@infastech.com

**TAIWAN**

**Infastech/Tri-Star Limited**

No 269-7, Baodong Rd,  
Guanmiao Township,  
71841 Tainan County,  
Taiwan, R.O.C  
Tel: +886 6 596 5798 (ext 201)  
Fax: +886 6 596 5758  
info-tw@infastech.com

**UNITED KINGDOM**

**Avdel UK Limited**

Pacific House  
2 Swiftfields  
Watchmead Industrial Estate  
Welwyn Garden City  
Hertfordshire AL7 1LY  
Tel: +44 (0) 1707 292000  
Fax: +44 (0) 1707 292199  
enquiries@infastech.com

**USA**

**Avdel USA LLC**

614 NC Highway 200 South  
Stanfield, North Carolina 28163  
Tel: +1 704 888 7100  
Fax: +1 704 888 0258  
infoAvdel-USA@infastech.com

Data Sheet No.	Issue	Change Note No.
07900-00796	A2	07/103
	A3	08/057
	A4	10/162
	A5	11/018

**www.avdel-global.com**  
**www.infastech.com**

Autosert® (equipment), Avbolt®, Avdel®, Avdelmate®, Avdel TX2000®, Avdelok®, Avex®, Avibulb®, Avinox®, Avinut™, Avlug®, Avmatic®, Avplas®, Avseal®, Avsert®, Avtainer®, Avtronic®, Briv®, Bulbex®, Chobert®, Eurosert®, Fastriv®, Finsert®, Genesis®, Grovit®, Hemlok®, Hexsert®, Holding your world together®, Hydra®, Interlock®, Klamp-Tite®, KlampTite KTR®, Kvex®, Maxlok®, Monobolt®, Monobulb®, Neobolt®, Nutsert®, Nutsert SQ®, Portariv®, Rivmatic®, Rivscrew®, Speed Fastening®, Squaresert®, Stavex®, Supersert®, Thin Sheet Nutsert®, Titan®, T-Lok®, TLR®, TSN®, TX2000®, Versa-Nut®, Viking® and Viking 360® are trademarks of Avdel UK Limited. Infastech™ and Our Technology, Your Success™ are trademarks of Infastech Intellectual Properties Pte Ltd. The names and logos of other companies mentioned herein may be trademarks of their respective owners. This document is for informational purposes only. Infastech makes no warranties, expressed or implied, in this document. Data shown is subject to change without prior notice as a result of continuous product development and improvement policy. Your local Avdel representative is at your disposal should you need to confirm latest information.